



US007055192B2

(12) **United States Patent**
Waters et al.

(10) **Patent No.:** **US 7,055,192 B2**
(45) **Date of Patent:** **Jun. 6, 2006**

(54) **CRIB SHIELD SYSTEM AND OTHER BREATHABLE APPARATUS**

(75) Inventors: **Susan Marie Waters**, Eagan, MN (US); **Dale Richard Waters**, Eagan, MN (US)

(73) Assignee: **Breathablebaby, LLC**, Eagan, MN (US)

(*) Notice: Subject to any disclaimer, the term of this patent is extended or adjusted under 35 U.S.C. 154(b) by 0 days.

(21) Appl. No.: **10/738,616**

(22) Filed: **Dec. 16, 2003**

(65) **Prior Publication Data**

US 2004/0154099 A1 Aug. 12, 2004

Related U.S. Application Data

(60) Provisional application No. 60/434,324, filed on Dec. 17, 2002.

(51) **Int. Cl.**

A47C 21/08 (2006.01)
A47C 21/04 (2006.01)
A47D 7/00 (2006.01)
A47D 13/06 (2006.01)
A47D 15/00 (2006.01)

(52) **U.S. Cl.** **5/424; 5/663; 5/93.1; 5/946**

(58) **Field of Classification Search** **5/424, 5/425, 427, 93.1, 99.1, 100, 663, 946, 922**
See application file for complete search history.

(56) **References Cited**

U.S. PATENT DOCUMENTS

2,128,978 A 9/1938 Akin 5/93.1
2,566,790 A 9/1951 Bloomfield 5/93.1

2,784,420 A	3/1957	Moltane	5/98.1
2,927,331 A	3/1960	Ruiz	5/97
3,103,669 A	9/1963	Mundis	5/98.1
3,183,527 A	5/1965	Turner	5/98.1
3,438,069 A	4/1969	Long	5/422
3,882,871 A *	5/1975	Taniguchi	604/372
4,232,415 A	11/1980	Webber	5/427
4,280,342 A *	7/1981	Eng et al.	66/177
4,370,765 A	2/1983	Webber	5/427
4,644,591 A *	2/1987	Goldberg	2/206
4,767,419 A	8/1988	Fattore	5/659
5,010,611 A	4/1991	Mallett	5/497
5,385,036 A	1/1995	Spillane et al.	66/87
5,566,407 A	10/1996	Lien	5/93.1
5,575,025 A	11/1996	Peters	5/600
5,577,276 A	11/1996	Nicholson et al.	5/424
5,642,545 A	7/1997	Howard	5/663
5,699,571 A	12/1997	Yowell	5/724
5,706,534 A	1/1998	Sherman	5/424

(Continued)

OTHER PUBLICATIONS

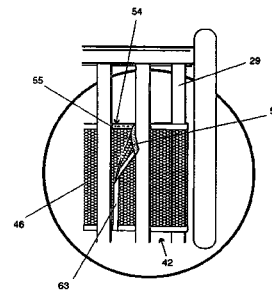
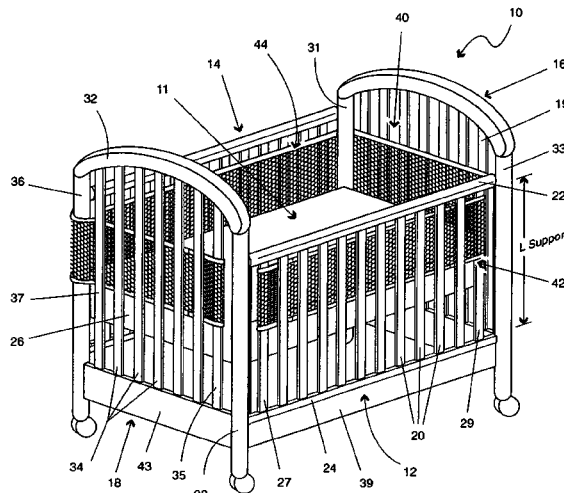
“Safe-N-Secure Crib Liner” Datasheet [online]. Tender Creations, Inc., Southampton, MA, [retrieved on Feb. 4, 2000]. Retrieved from the Internet:<URL:http://www.tendercreations.com/cribliner.htm>; 8 pgs.

Primary Examiner—Robert G. Santos
(74) *Attorney, Agent, or Firm*—Mueting, Raasch, Gebhardt, P.A.

(57) **ABSTRACT**

A crib shield system includes one or more panels to be used with crib. The panels are formed, at least in part, of a mesh-type material (e.g., an integrated padded mesh material) that includes openings too small to permit an infant to insert a finger or toe therethrough. Further, the integrated padded mesh material may be used with one or more other apparatus (e.g., a blanket, a toy, etc.).

25 Claims, 21 Drawing Sheets



US 7,055,192 B2

Page 2

U.S. PATENT DOCUMENTS

5,787,534	A	8/1998	Hargest et al.	5/726	6,315,364	B1 *	11/2001	Fujita et al.	297/452.56
5,806,112	A	9/1998	Harms	5/93.1	6,347,422	B1 *	2/2002	Heavrin	5/663
5,855,031	A	1/1999	Swift, Jr.	5/93.1	6,421,857	B1 *	7/2002	Whatman et al.	5/663
5,857,232	A	1/1999	Mahdavi	5/655	6,438,775	B1 *	8/2002	Koenig	5/424
5,881,408	A	3/1999	Bashista et al.	5/663	6,489,000	B1 *	12/2002	Ogura et al.	428/45
5,933,885	A	8/1999	Glassford	5/424	6,670,018	B1 *	12/2003	Fujita et al.	428/86
5,937,458	A	8/1999	DeRosa	5/424	6,772,457	B1 *	8/2004	Alaback	5/93.1
6,055,690	A *	5/2000	Koenig	5/724	2001/0000362	A1	4/2001	Wagner et al.	5/424
6,089,947	A *	7/2000	Green	446/268	2002/0034901	A1 *	3/2002	Fujita et al.	442/32
6,168,495	B1 *	1/2001	Yoon	446/478	2002/0178500	A1 *	12/2002	Koenig	5/424
6,170,101	B1 *	1/2001	McCloud	5/424	2004/0154099	A1 *	8/2004	Waters et al.	5/424
6,178,573	B1	1/2001	Wagner et al.	5/424					
6,302,487	B1 *	10/2001	Fujita et al.	297/452.56					

* cited by examiner

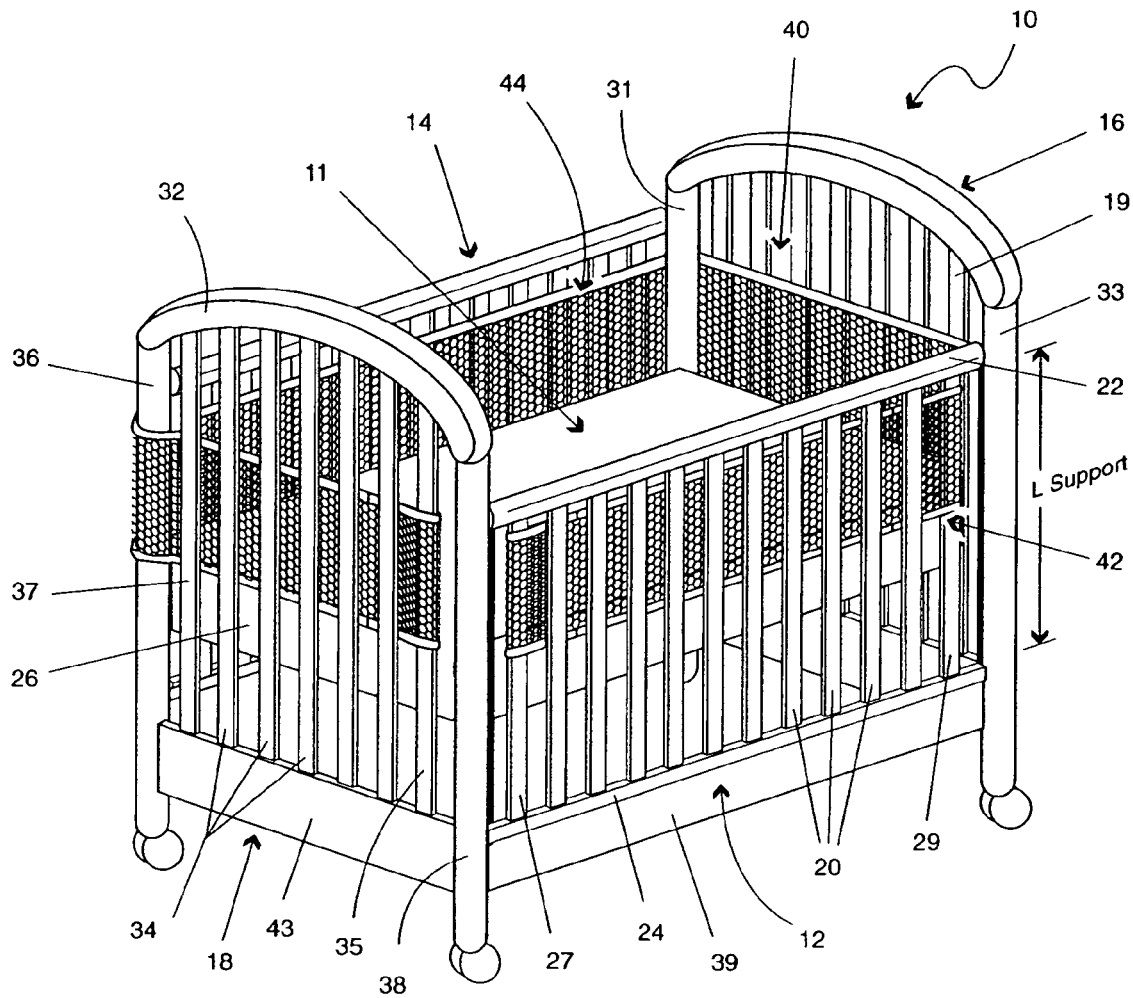


FIG. 1

FIG. 2A

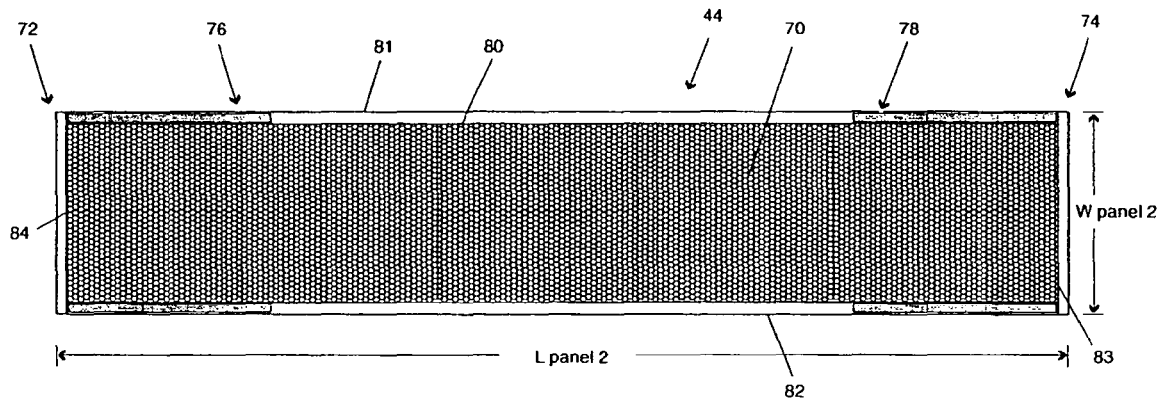
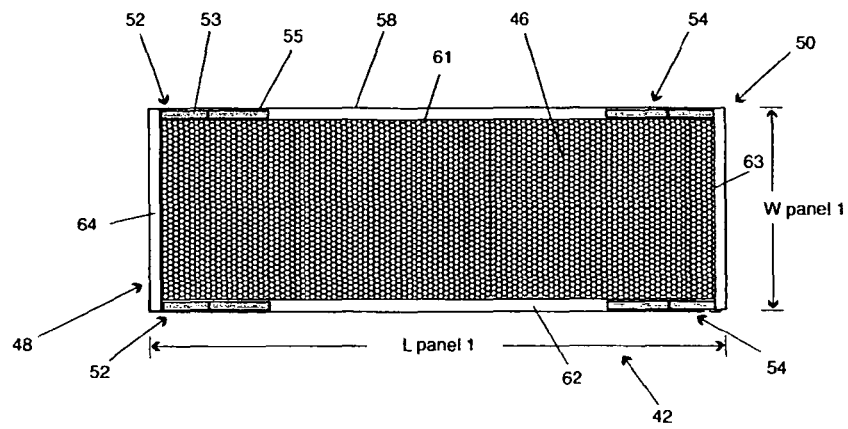


FIG. 2B

FIG. 2D

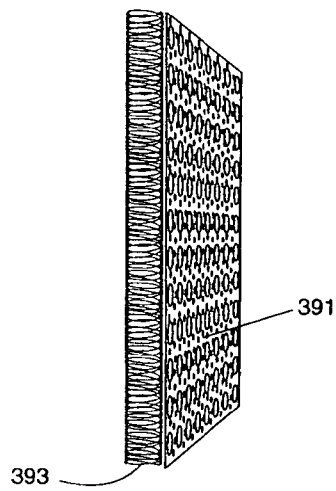


FIG. 2C

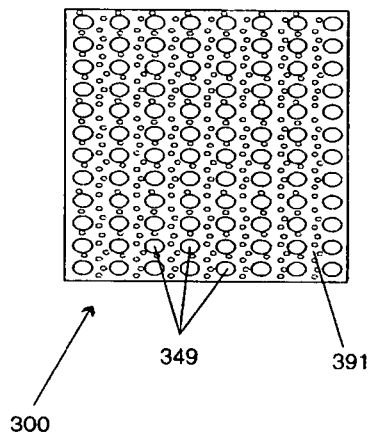


FIG. 2E

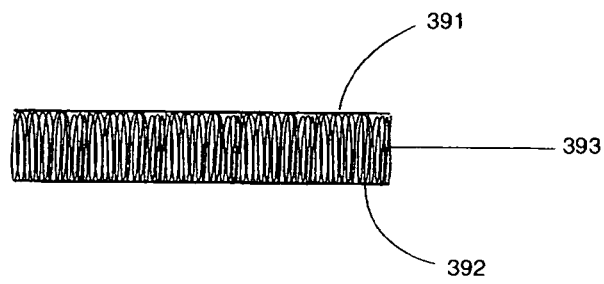
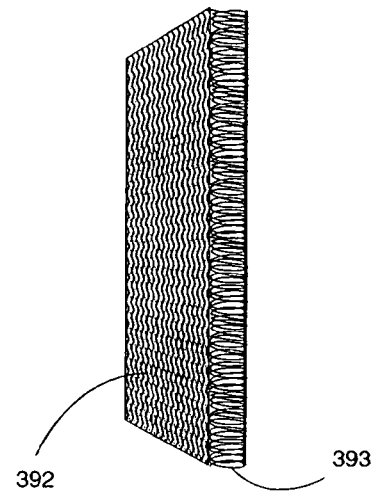


FIG. 2F

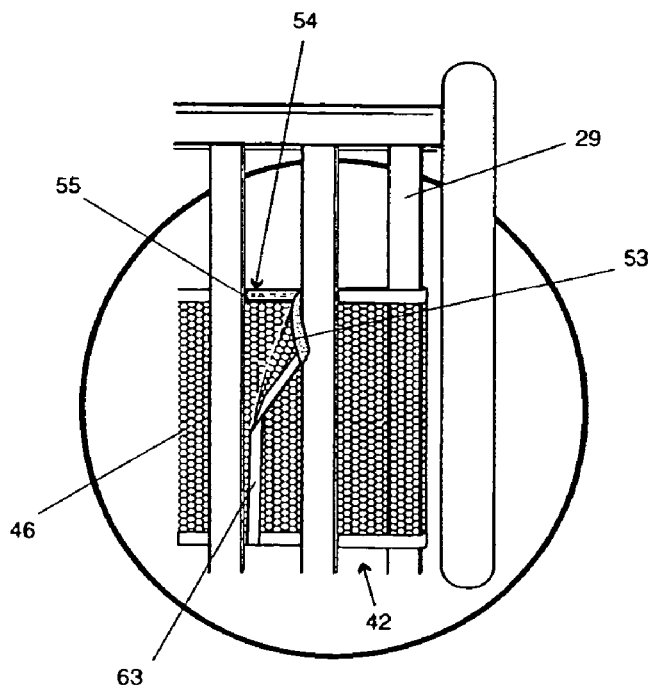


FIG. 3A

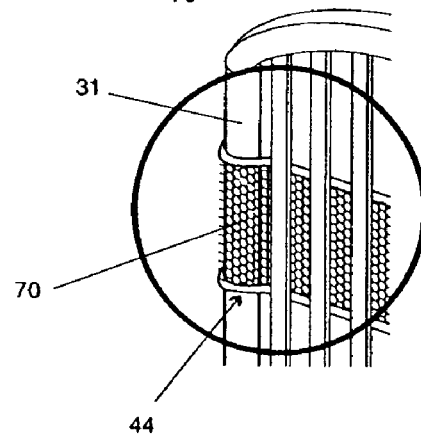
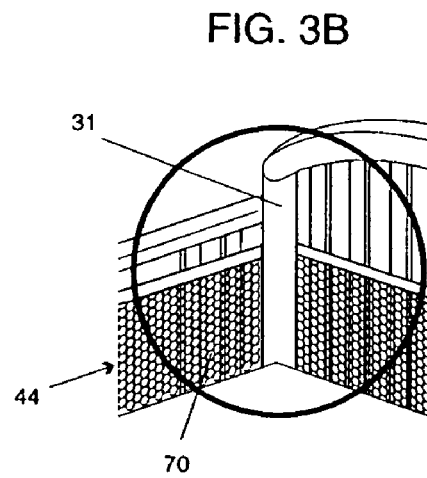


FIG. 3C

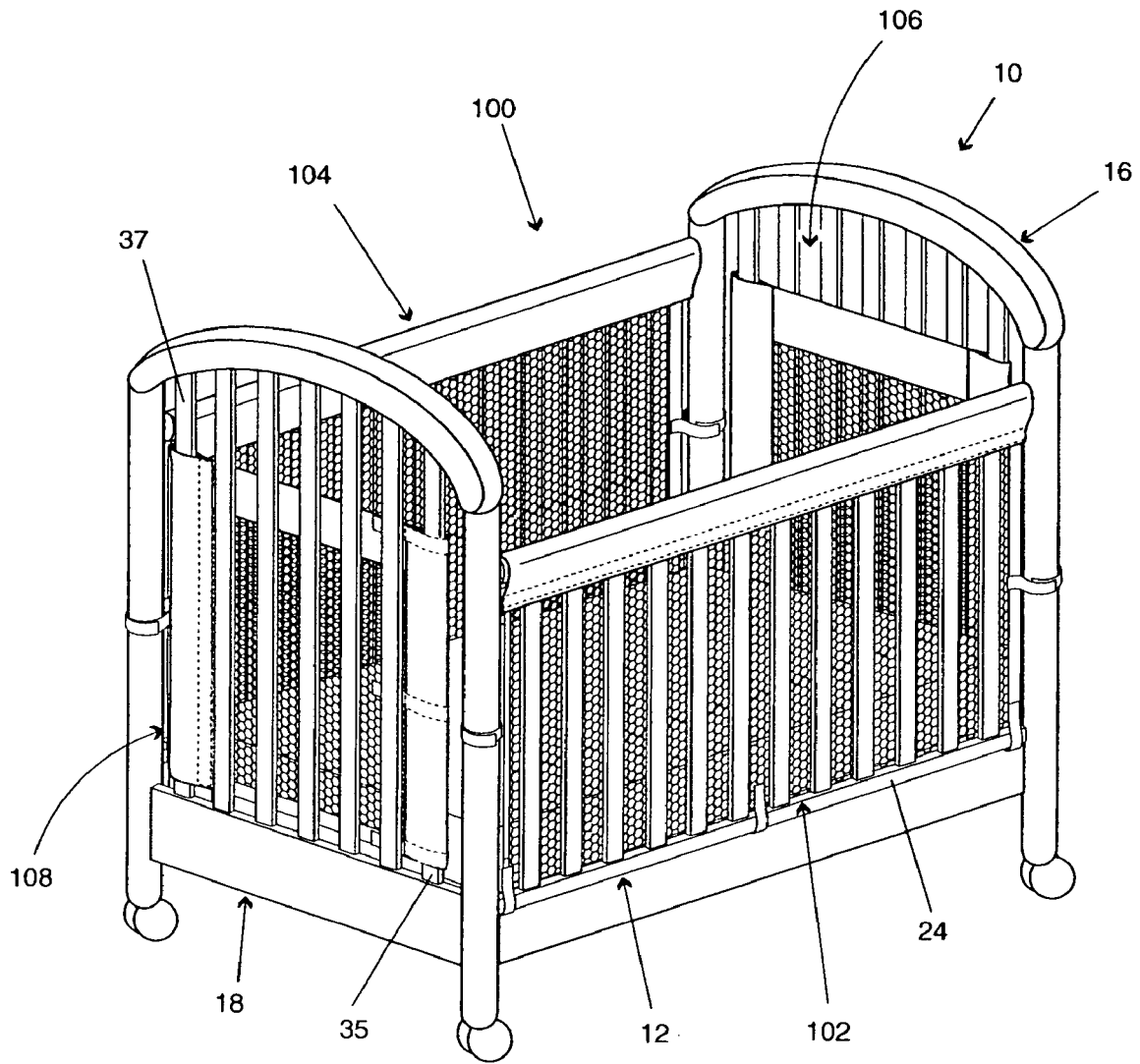
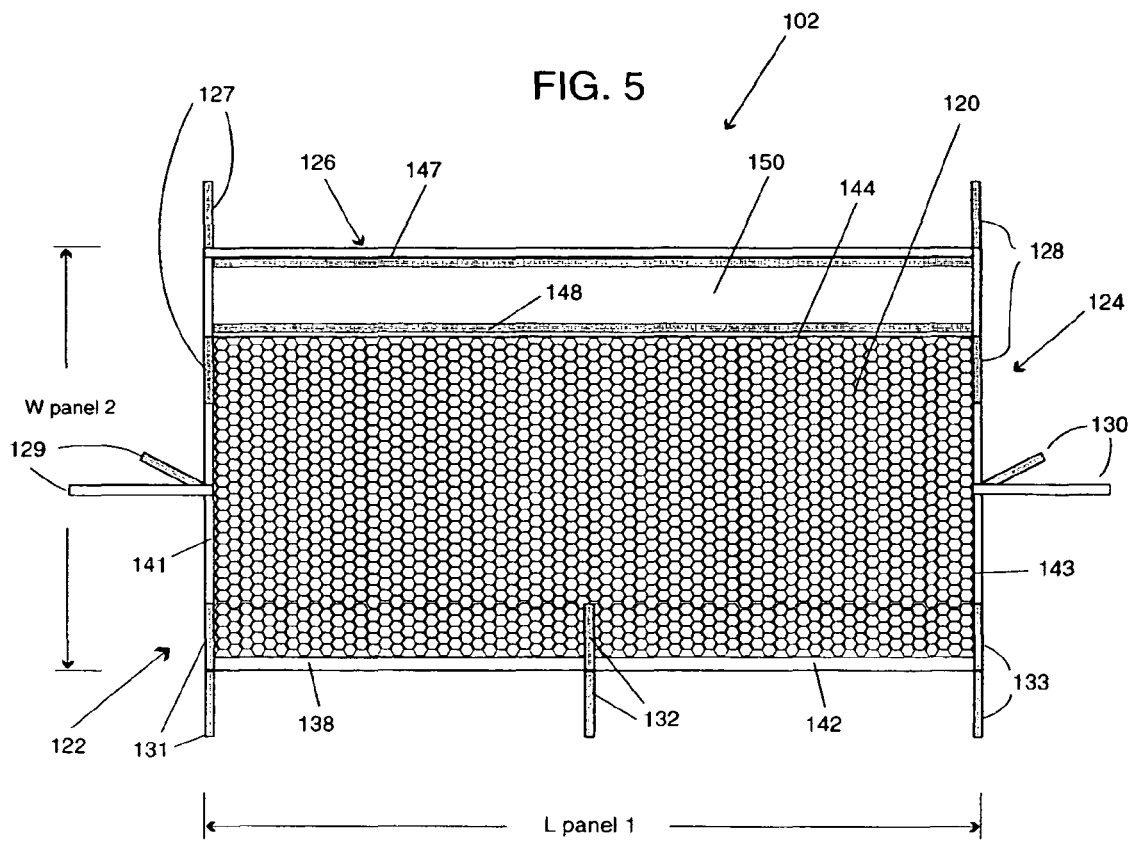


FIG. 4



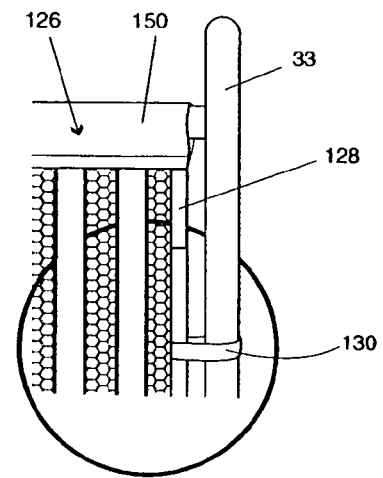
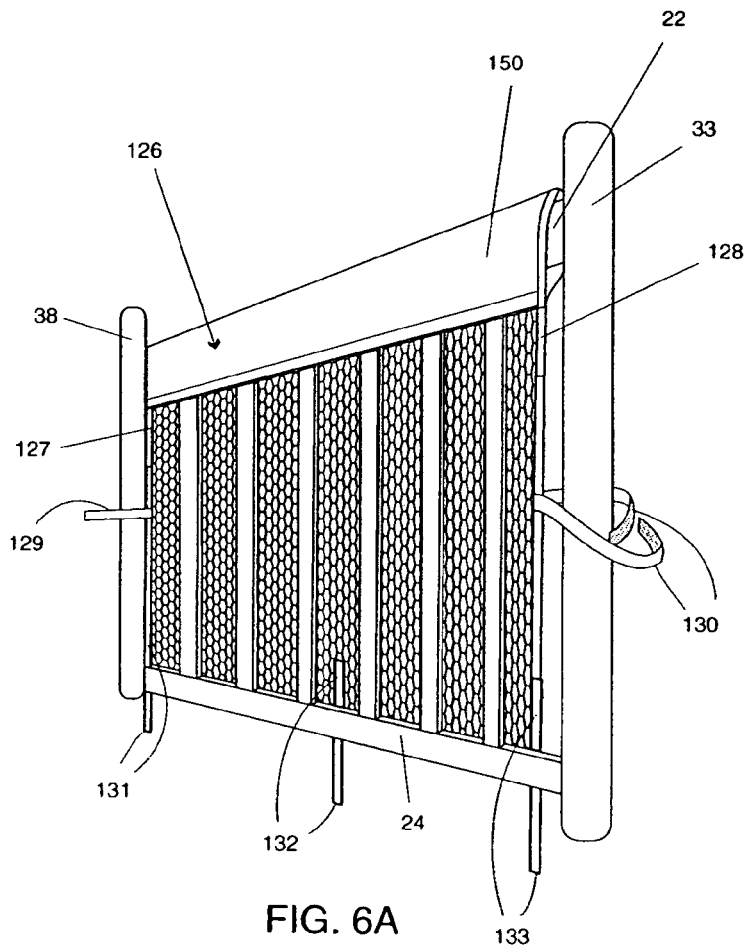


FIG. 6C

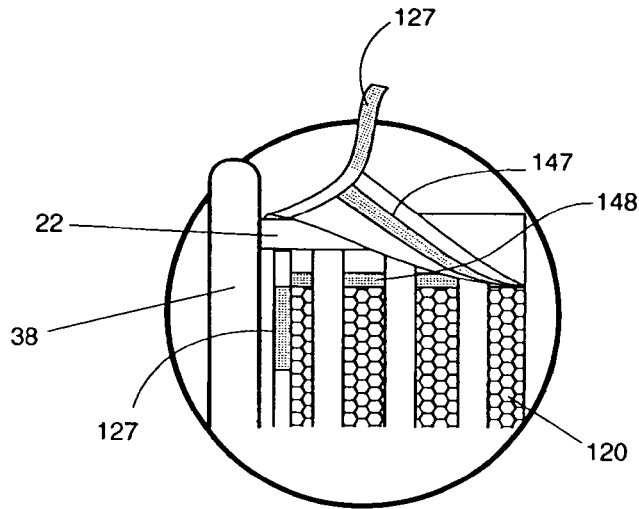


FIG. 6D

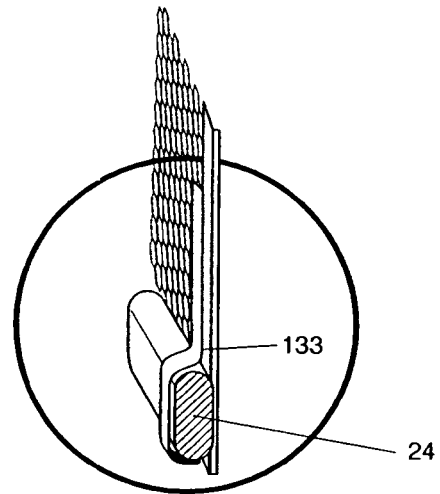
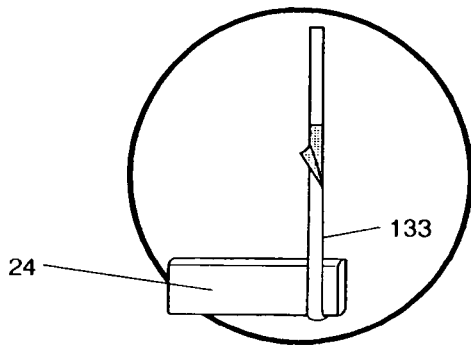
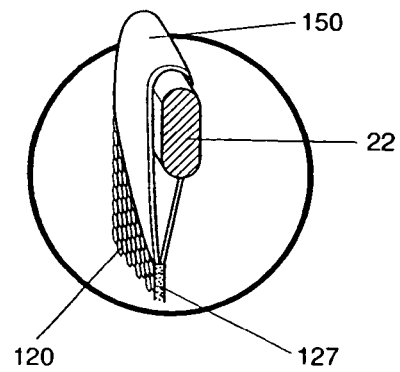
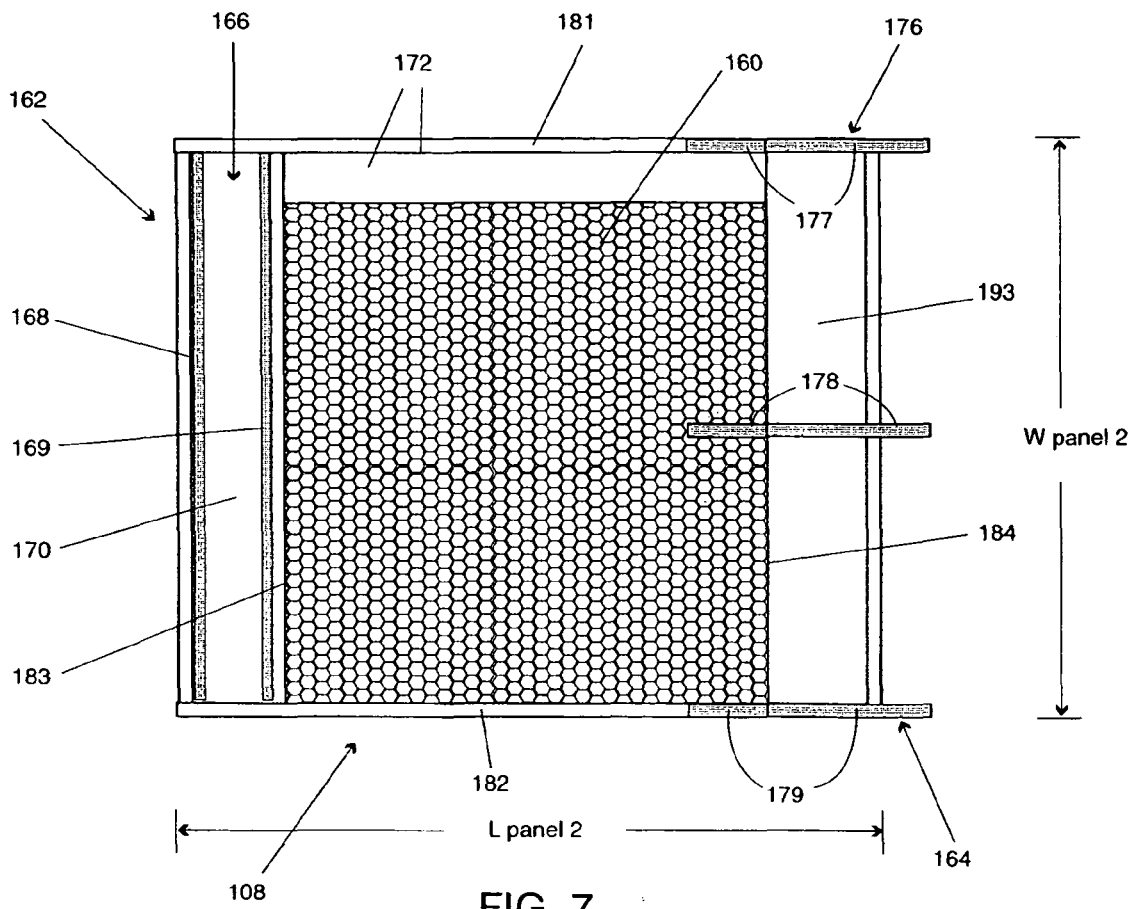


FIG. 6E

FIG. 6F



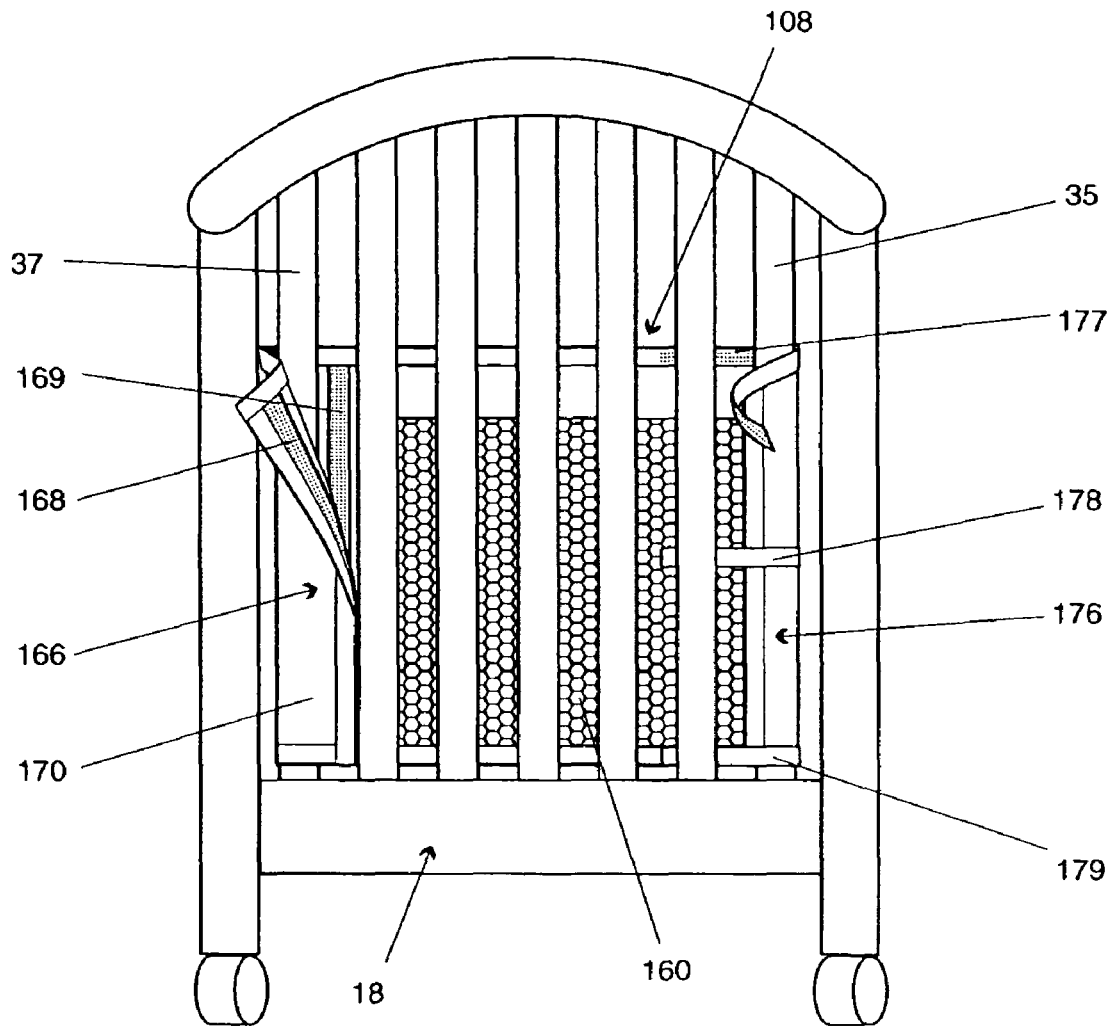


FIG. 8

FIG. 9

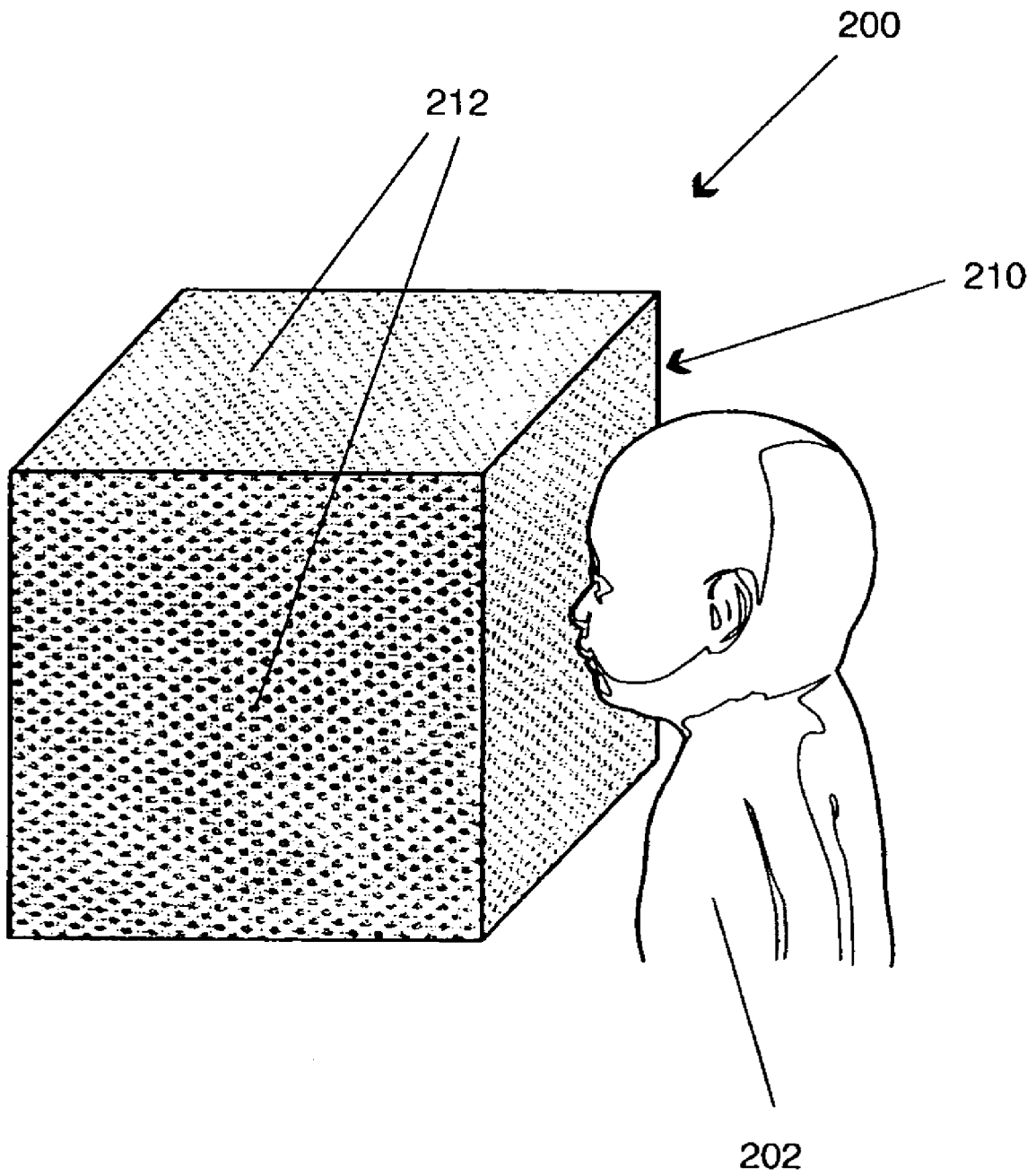


FIG. 10A

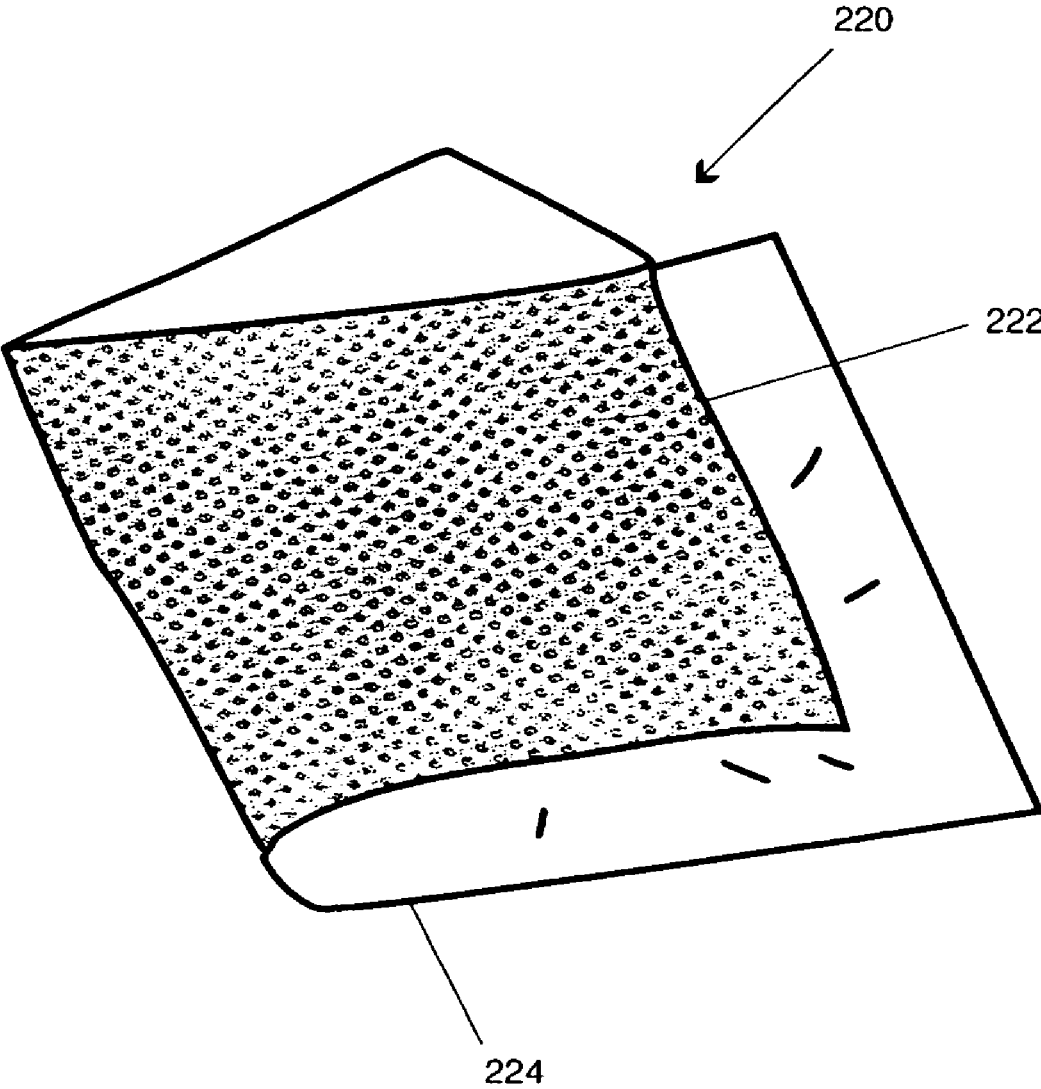


FIG. 10B

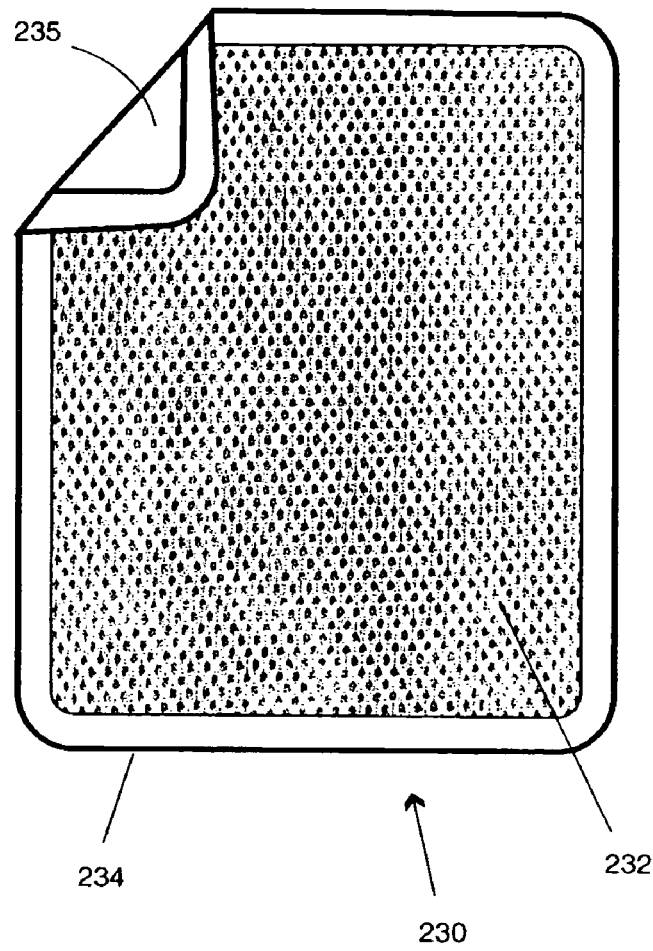


FIG. 10C

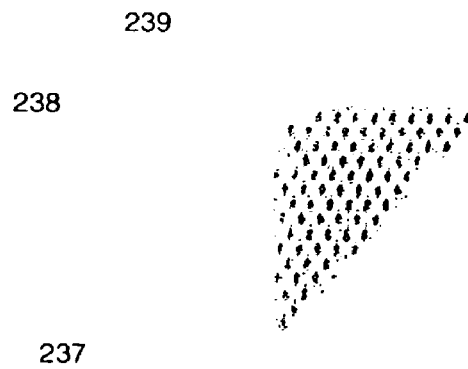


FIG. 11A

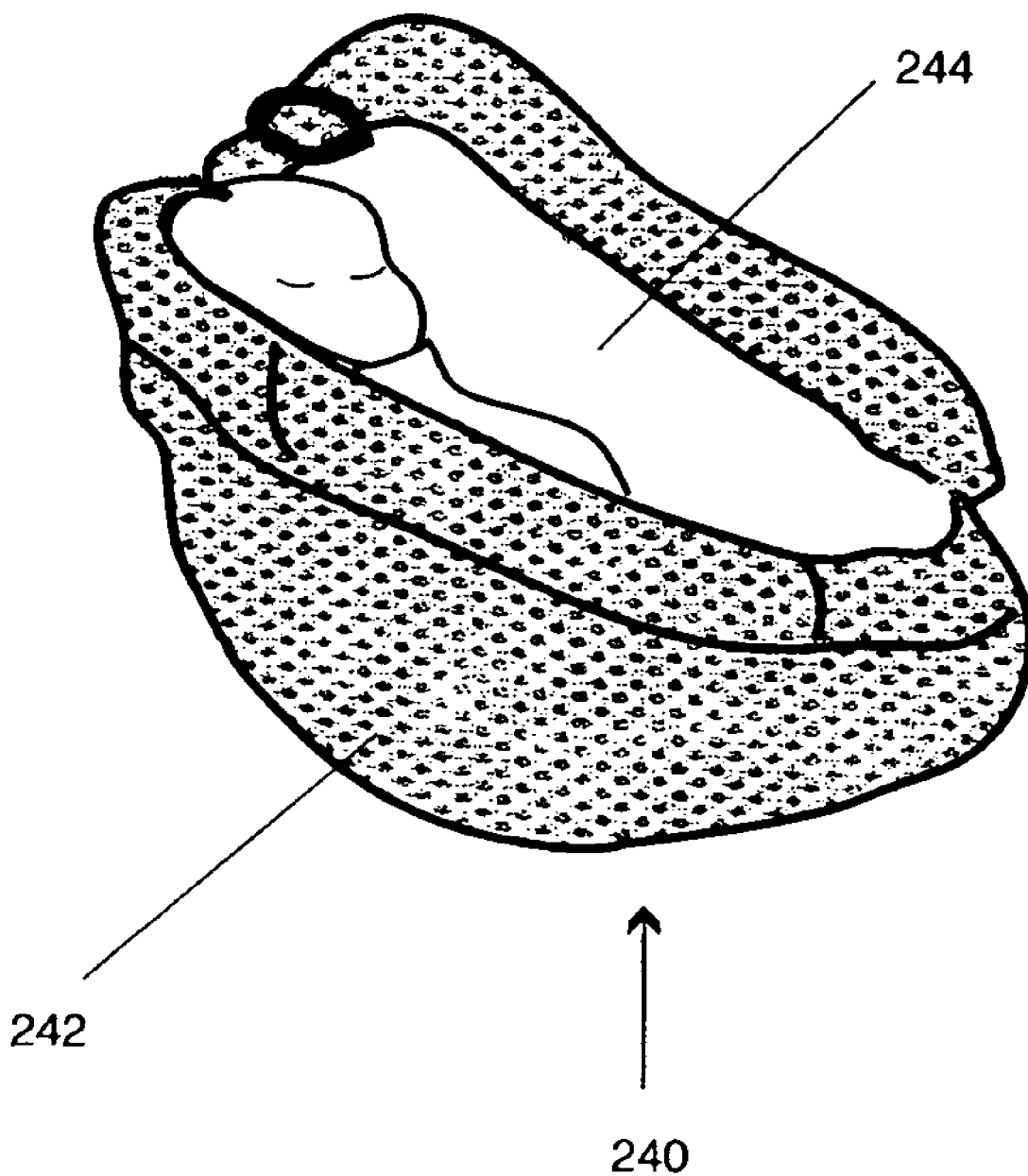


FIG. 11B

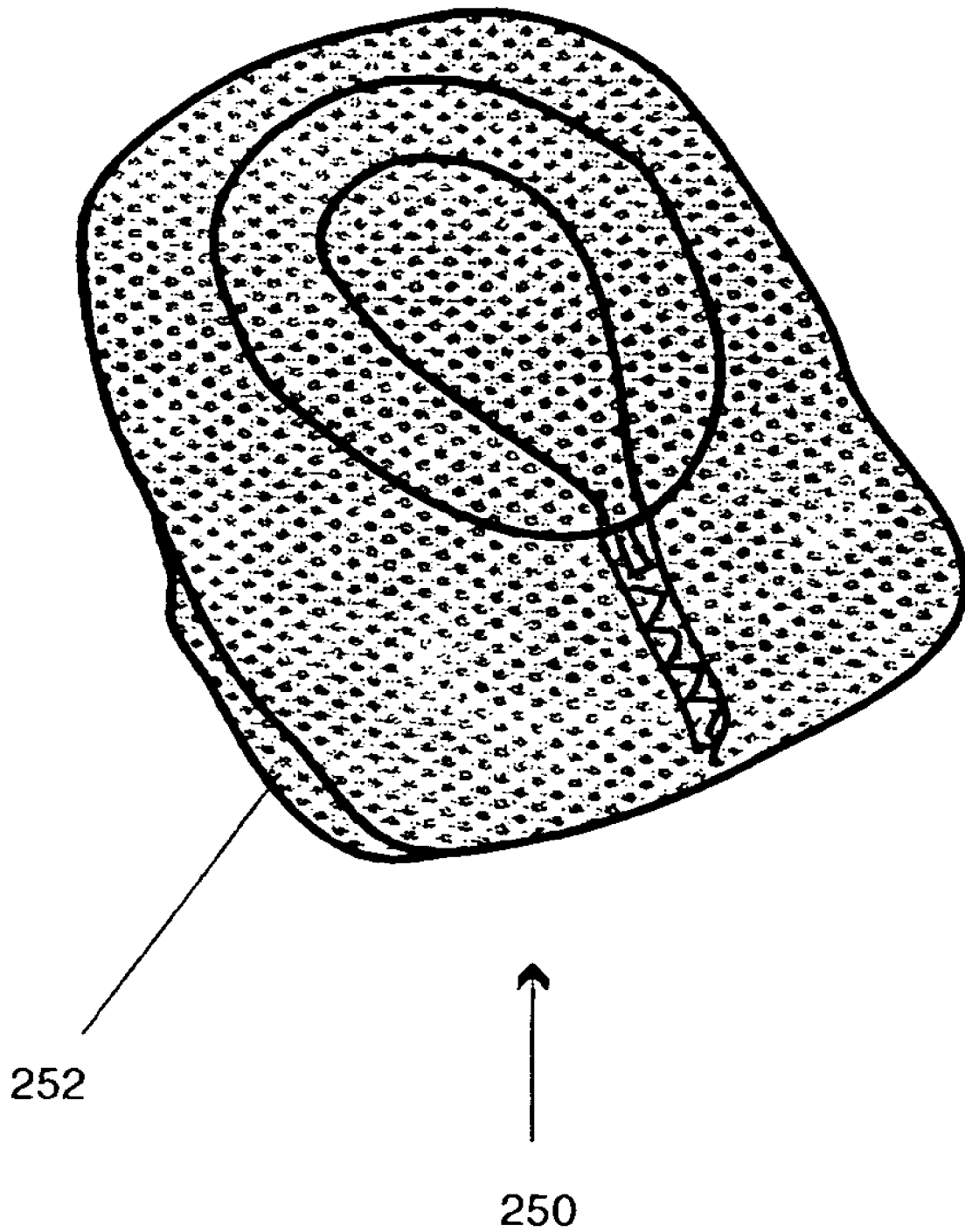


FIG. 11C

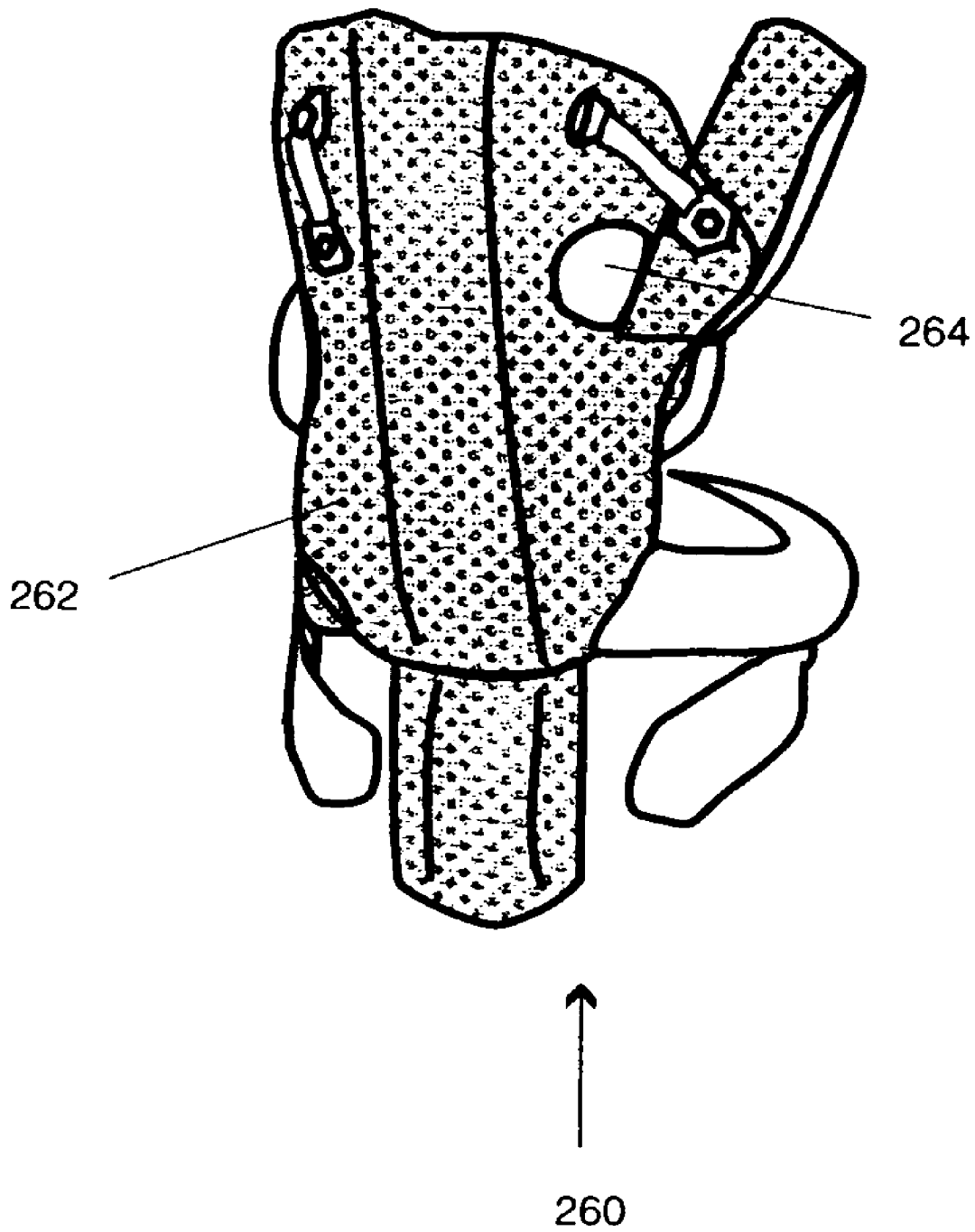


FIG. 11D

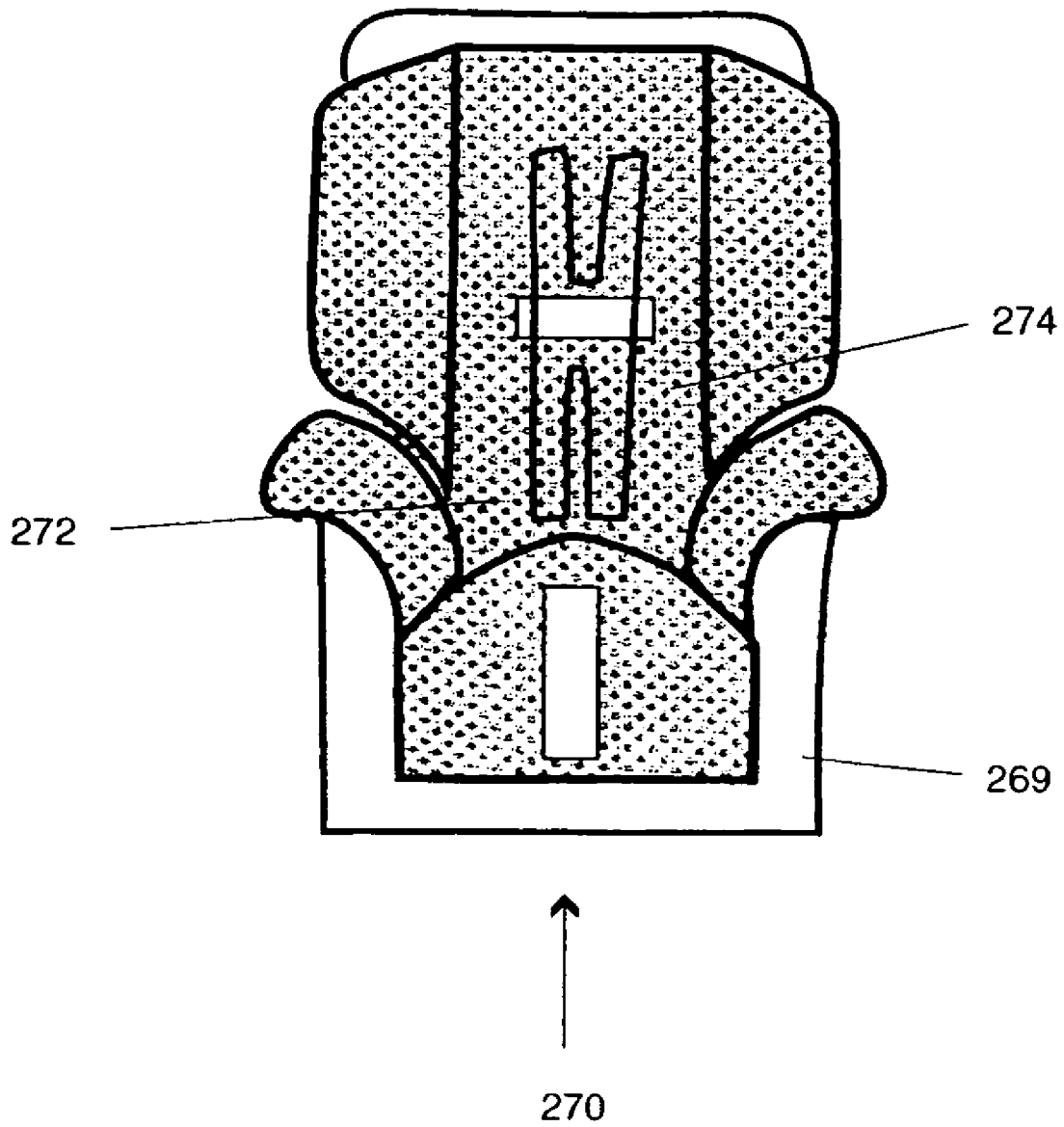


FIG. 11E

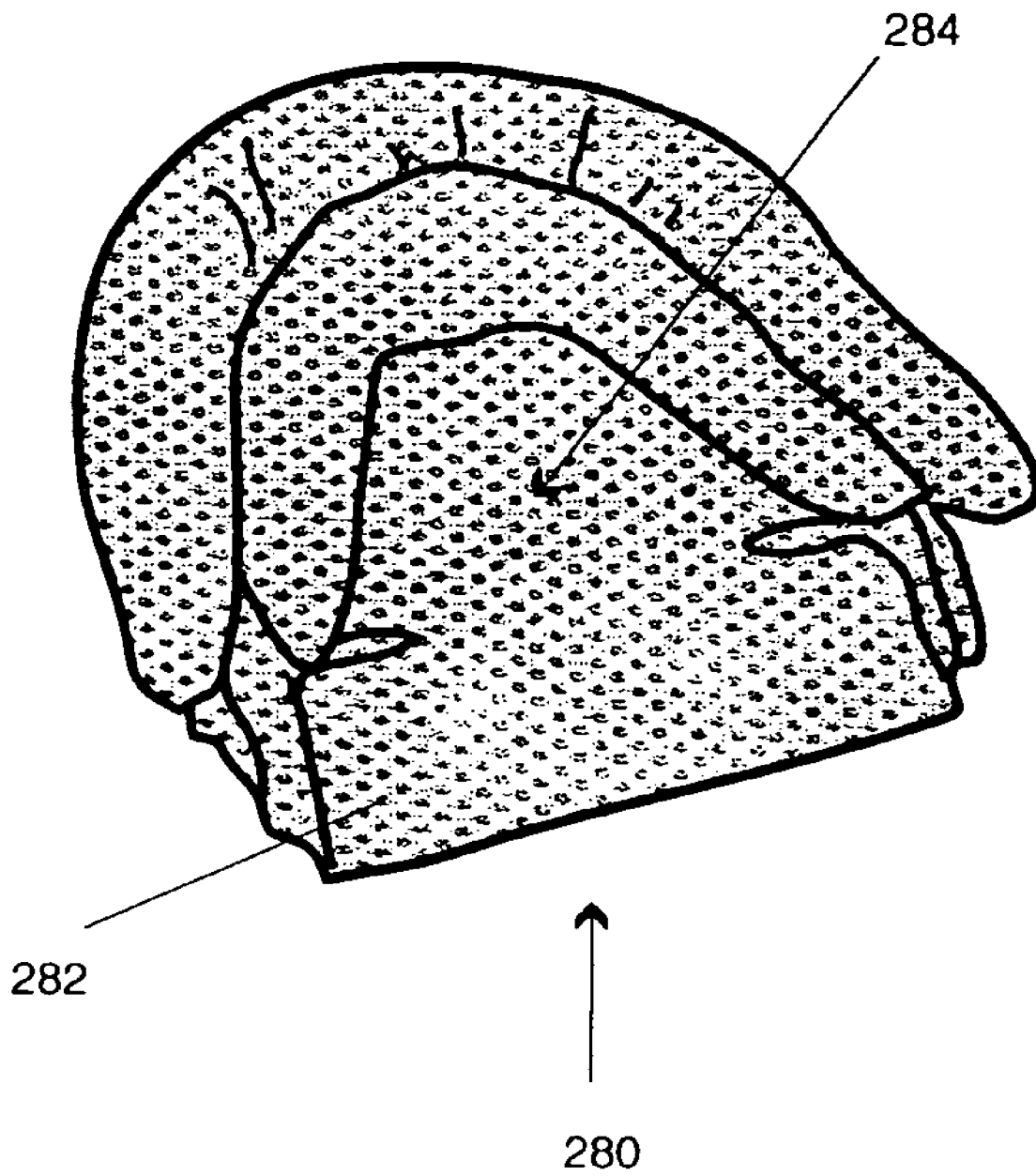


FIG. 11F

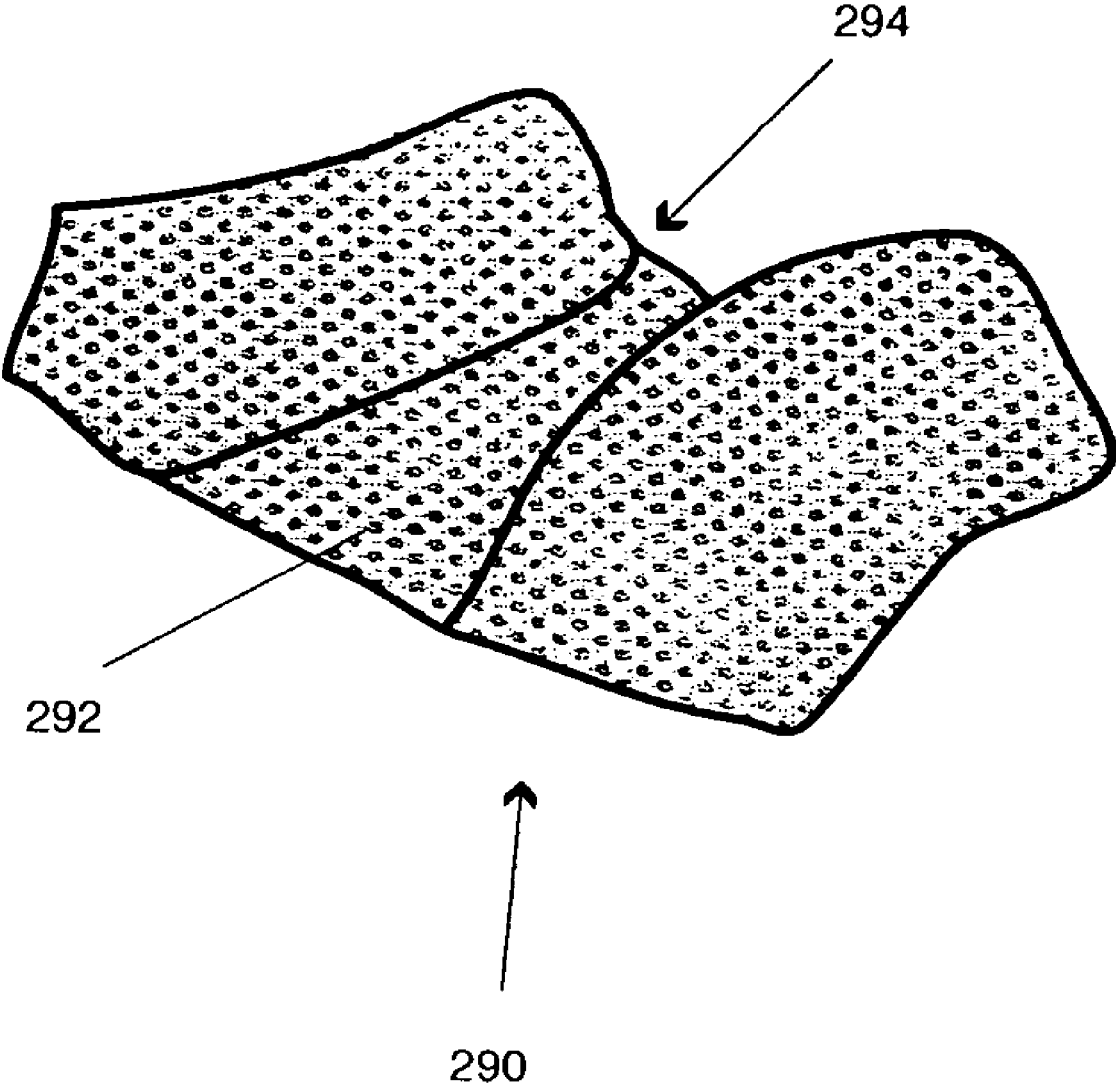


FIG. 12

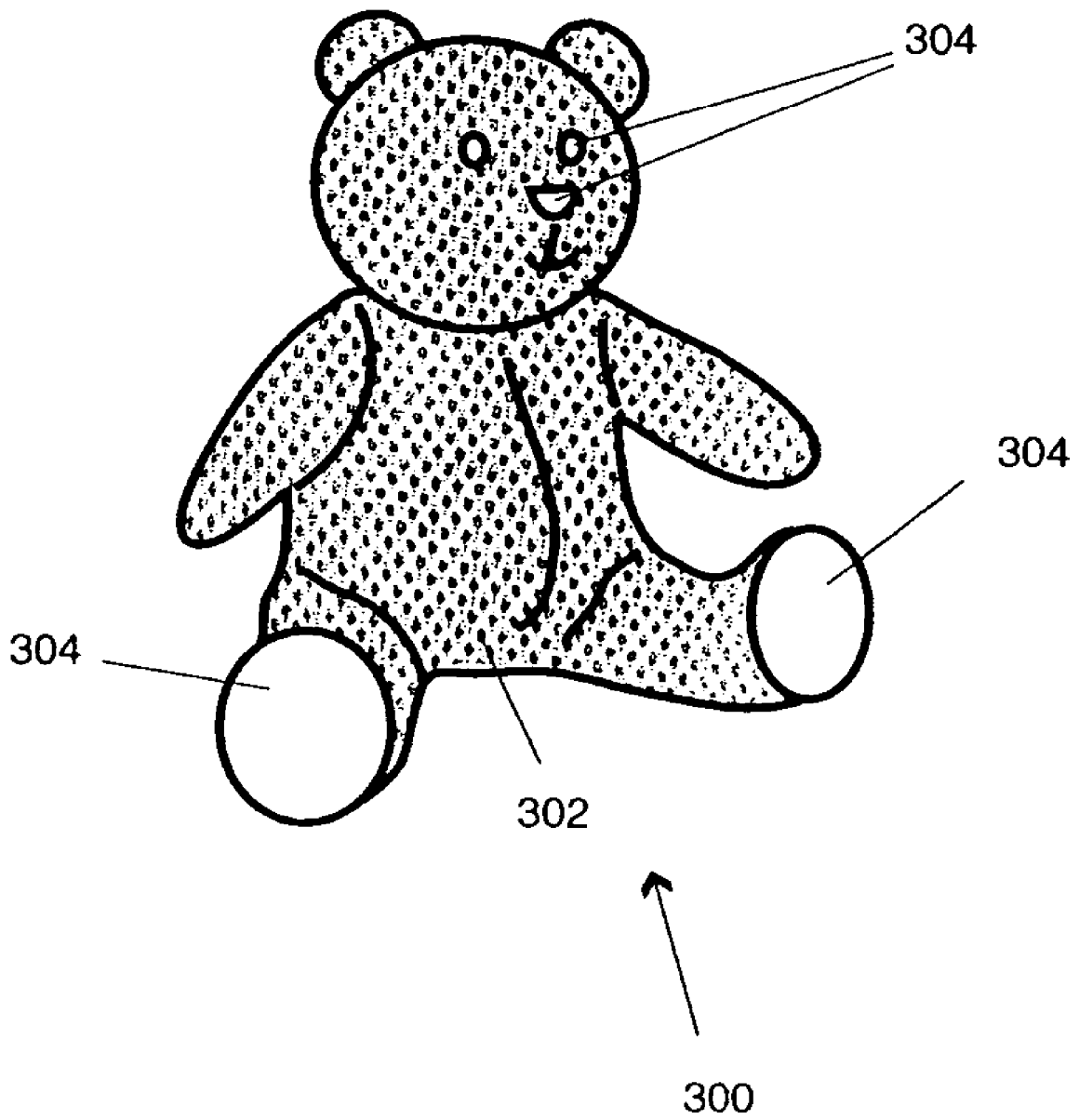
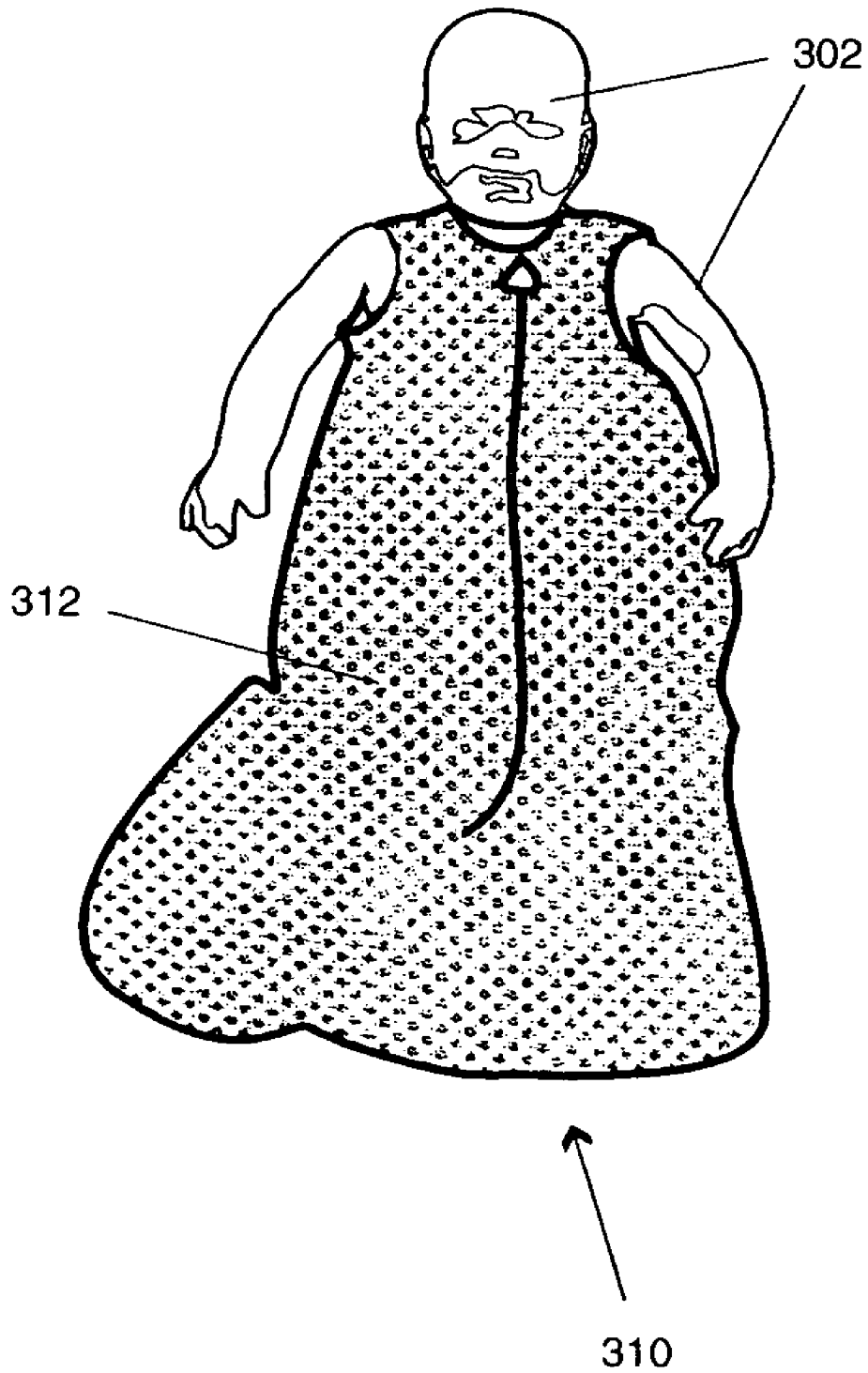


FIG. 13



**CRIB SHIELD SYSTEM AND OTHER
BREATHABLE APPARATUS****CROSS-REFERENCE TO RELATED
APPLICATIONS**

This application claims the benefit of U.S. Provisional Application No. 60/434,324, entitled "Crib Shield System," filed 17 Dec. 2002, wherein such document is incorporated herein by reference.

BACKGROUND OF THE INVENTION

The present invention relates to cribs and other usable objects (e.g., child usable objects). More particularly, the present invention pertains to crib attachments and other breathable apparatus that, for example, protect infants or young children from harm, e.g., crib attachments that prevent or protect infants or young children when in a crib from getting into one or more problematic situations, e.g., getting limbs extended and caught between crib slats or chewing on crib rails, siblings poking sharp objects into the crib, etc.

For example, conventional baby cribs include side rails that are made up of top and bottom horizontal bars interconnected by a series of spaced supports (e.g., vertical slats). Frequently, babies and toddlers, while sleeping or playing in their cribs, intentionally or accidentally extend their limbs out of the crib between the slats and have difficulty drawing them back into the crib. If this occurs when the child is sleeping, the extended limbs will remain uncovered and become cold, and the child will be ultimately awakened. Many cribs also have headboards and footboards that are also made with spaced-apart supports and the baby may also extend its arms or legs out of the crib between these slats.

Although various types of apparatus have been used to prevent such problematic situations (e.g., extension of limbs outside of the crib through the spaced-apart supports), many of such apparatus exhibit their own problems. For example, as described herein, ventilation may be problematic (e.g., such as that leading up to and resulting in suffocation). For example, crib bumper pads are widely used in cribs for protecting a child from injury caused by bodily impact of the child against the sides of the crib that define the interior boundary of the crib. However, in many cases, such crib bumpers do not allow for adequate ventilation within the crib and obstruct view of the child.

Infants usually breathe through the nasal passages. However, during crying or in the event their nasal passages are blocked, infants may breathe through their oral cavities. Mechanical resistance suffocation takes places when respiration is interrupted if these passages are both blocked externally by an object. When respiration is interrupted, CO₂ levels in the blood rise. The body's response to this elevation in CO₂ levels is to attempt more rigorous respiration. If the agent of suffocation is not removed, the incident may be fatal after two or three minutes. Further, the accumulation of CO₂ or other dangerous gases inside the crib may be a possible cause of sudden infant death syndrome (SIDS). Existing crib apparatus, such as crib bumper pads, tend to trap dangerous gases inside the crib. Further, such apparatus may block the passages of infants under certain circumstances.

Various types of other crib apparatus have been described and attempt to reduce one or more of the above problems. For example, such apparatus are described in U.S. Pat. No. 5,881,408 to Bashista et al., entitled "Mesh Crib Liner,"

issued 16 Mar. 1999; and U.S. Pat. No. 6,178,573 to Wagner et al., entitled "Ventilation Upgrade Kit for a Crib Bumper and Method of Using It."

SUMMARY OF THE INVENTION

The present invention, as described herein, addresses the problems described above and other problems of prior art systems and methods which will become apparent to one skilled in the art from the description below. Generally, the present invention provides a crib shield system that is breathable, as well as other breathable apparatus (e.g., objects such as blankets, toys, etc.). For example, one crib shield system is for use with a crib that includes a first and second side rail, a headboard, and a footboard connected and sized for receiving a mattress therein. At least one of the first and second side rails includes a top bar and a plurality of spaced support elements.

The crib shield system according to the present invention for use with the crib includes a first and second side panel, wherein each of the first and second side panels is configured as a separate panel to cover at least a substantial portion of a corresponding side rail with a mesh-type material comprising openings too small to permit an infant to insert a finger or toe therethrough. Each of the first and second side panels includes at least one fastening apparatus that extends along an entire edge of the side panel to attach the side panel to the top bar of a corresponding side rail. Further, each of the first and second side panels includes at least one other fastening apparatus for securing the side panel to the corresponding side rail.

In one embodiment of the crib shield system, the system further includes at least one of a first and second end panel. Each of the at least one first and second end panels is configured as a separate panel to cover at least a substantial portion of a corresponding headboard or footboard with a mesh-type material having openings too small to permit an infant to insert a finger or toe therethrough. Each of the first and second end panels includes at least one fastening apparatus that extends along an entire edge of the panel to attach the panel to a spaced support element of a corresponding headboard or footboard, and further wherein each of the first and second end panels includes at least one other fastening apparatus for securing the panel to the corresponding headboard or footboard.

In yet another embodiment, the at least one other fastening apparatus of each of the first and second end panels is provided at one or more positions along an edge opposite the entire edge to allow a user to pull the panel taut across the corresponding headboard or footboard when the at least one fastening apparatus extending along the entire edge of the panel is attached to the spaced support element of the corresponding headboard or footboard. Further, it is configured to secure the panel to another spaced support element of the corresponding headboard or footboard using the at least one other fastening apparatus.

In yet another embodiment of the system, the at least one other fastening apparatus of each of the first and second side panels is provided at one or more positions along an edge opposite the entire edge to allow a user to pull the panel taut across the corresponding side rail when the at least one fastening apparatus extending along the entire edge of the panel is attached to the top rail of a corresponding side rail. Further, it is configured to secure the panel to another portion of the corresponding side rail using the at least one other fastening apparatus.

Another crib shield system according to the present invention for use with a crib (e.g., wherein each of the first and second side rails extend along a length of the crib between the headboard and the footboard) includes a first panel and a second panel. The first panel is configured to cover at least a portion of the first side rail and to extend along substantially the length of the crib. Further, the first panel is formed substantially of a mesh-type material having openings too small to permit an infant to insert a finger or toe therethrough and includes at least one fastening apparatus to attach a first end of the first panel to a first portion of the first side rail. Yet further, the first panel includes at least one other fastening apparatus for securing a second end opposite of the first end of the first panel to a second portion of the first side rail.

The second panel is separate from the first panel and is configured to cover at least a portion of the second side rail and to extend at least along the length of the crib. The second panel is substantially formed of a mesh-type material having openings too small to permit an infant to insert a finger or toe therethrough and the second panel includes at least one fastening apparatus to attach a first end of the second panel to the crib. Further, the second panel includes at least one other fastening apparatus for securing a second end opposite of the first end of the second panel to the crib.

In one embodiment of this crib shield system, the second panel is further configured to cover at least a portion of the headboard and footboard, the at least one fastening apparatus of the second panel is configured to attach the second panel to one of the headboard and footboard, and the at least one other fastening apparatus of the second panel is configured to secure the second panel to the other of the headboard and footboard.

In another embodiment of the system, the at least one fastening apparatus of the second panel is configured to attach the second panel to a spaced support element that forms a part of the headboard, and the at least one other fastening apparatus of the second panel is configured to attach the second panel to another spaced support element that forms a part of the footboard.

Yet further, in another embodiment, the at least one fastening apparatus of the first panel is configured to attach the first end of the first panel to a spaced support element of the first side rail proximate the headboard, and the at least one other fastening apparatus of the first panel is configured to attached the second end of the first panel to another spaced support element of the first side rail proximate the footboard.

Further, in one or more embodiments of this crib shield system, at least the first panel includes a width that is less than the length of a spaced support element of the first side rail or a width that is less than one half the length of a spaced support element of the first side rail.

Another crib shield system for a crib that includes a plurality of spaced support elements (e.g., used in defining an interior boundary extending proximate and around a periphery of a mattress disposed within the crib) includes at least one panel configured to cover at least a portion of the plurality of spaced support elements and to extend along at least a portion of the interior boundary. The at least one panel is formed substantially of a breathable integrated padded mesh material and includes at least one fastening apparatus for securing the at least one panel to the crib.

In one embodiment of this system, the at least one panel may include a first panel and a second panel. The first panel is sized to cover at least a portion of the plurality of spaced support elements that form a part of a first side rail that

defines at least a part of the interior boundary and to extend along a substantial portion of a length of the first side rail from a headboard to a footboard of the crib. Further, the first panel includes at least one fastening apparatus to attach a first end of the first panel to one of the plurality of spaced support elements of the first side rail, and also at least one other fastening apparatus for securing a second end of the first panel to another one of the plurality of spaced support elements of the first side rail. The second panel is separate from the first panel and is sized to cover at least a portion of the plurality of spaced support elements that form a part of a second side rail that defines at least a part of the interior boundary and to extend at least along a substantial portion of a length of the second side rail from a headboard to a footboard of the crib. The second panel includes at least one fastening apparatus to attach the second panel to one of the plurality of spaced support elements of the crib, and also includes at least one other fastening apparatus for securing the second panel to another one of the plurality of spaced support elements of the crib.

In yet another embodiment of the system, the second panel is further sized to cover at least a portion of the headboard and the footboard that defines at least a part of the interior boundary. For example, the at least one fastening apparatus of the second panel is configured to attach the second panel to a spaced support element of the headboard and the at least one other fastening apparatus of the second panel is configured to secure the second panel to a spaced support element of the footboard.

In one or more embodiments of the apparatus or systems described herein, the plurality of spaced support elements covered, at least in part, by the at least one panel form a part of a side rail that is movable relative to a remainder of the crib. Further, one or more of the fastening apparatus may include a hook and loop fastener.

Further, one or more of the panels of the systems described herein may be formed of a breathable integrated padded mesh material. For example, the mesh-type material may include a front substructure, a back substructure, and a pile substructure integrated with and extending between the front and back substructures. Each of the substructures allows air to substantially move effectively therethrough.

Yet further according to the present invention, various other breathable apparatus may be provided. For example, an apparatus may include a body portion that includes one or more surfaces. The body portion is, for example, used proximate the mouth of a human being. The body portion may form at least a substantial portion of at least one of a blanket, a baby carrier apparatus, baby clothing, a toy, etc. Further, substantially all of the one or more surfaces of the body portion may be formed of a breathable integrated padded mesh material.

The above summary of the present invention is not intended to describe each embodiment or every implementation of the present invention. Advantages, together with a more complete understanding of the invention, will become apparent and appreciated by referring to the following detailed description and claims taken in conjunction with the accompanying drawings.

BRIEF DESCRIPTION OF THE DRAWINGS

FIG. 1 shows a perspective view of one embodiment of a low crib shield system attached to a crib with a side rail of the crib in a raised state.

5

FIG. 2A is a top view of one embodiment of a first side panel of the low crib shield system shown in FIG. 1 in an unattached position laid flat.

FIG. 2B is a top view of one embodiment of a second side panel of the low crib shield system shown in FIG. 1 in an unattached position laid flat.

FIGS. 2C–2F show details of one embodiment of an integrated padded mesh material that may be used in forming the side panels and the crib shield system shown in FIGS. 1 and 2, as well as other apparatus or objects described in the other figures.

FIGS. 3A–3C illustrate the attachment of the first and second side panels shown in FIGS. 1 and 2 to a crib according to one embodiment of the present invention.

FIG. 4 shows a perspective view of one embodiment of a full crib shield system attached to a crib with the mattress of the crib in a lowered position and a moveable side rail in a raised state.

FIG. 5 shows a top view of one embodiment of a side panel for use in the full crib shield system shown in FIG. 4 according to the present invention in an unattached position laid flat.

FIGS. 6A–6F show various illustrations for use in describing the attachment of the side panel shown in FIG. 5 to a crib side rail according to one embodiment of the present invention.

FIG. 7 shows a top view of an end panel for use in the full crib shield system shown in FIG. 4 according to the present invention in an unattached position laid flat.

FIG. 8 shows an illustration for use in describing attachment of the end panel shown generally in FIG. 7 to a headboard or footboard of a crib according to one embodiment of the present invention.

FIG. 9 is a diagram showing a general embodiment of a breathable apparatus according to the present invention.

FIG. 10A–10C show illustrations of a breathable blanket and a breathable comforter, along with more detail thereof, respectively, according to the present invention.

FIGS. 11A–11F show various illustrations of breathable apparatus, such as apparatus for carrying or receiving a small child (e.g., a baby) according to the present invention.

FIG. 12 shows an illustration of one embodiment of a breathable toy according to the present invention.

FIG. 13 shows a diagram of one embodiment of breathable clothing or wearables according to the present invention.

DETAILED DESCRIPTION OF THE EMBODIMENTS

One or more embodiments of crib shield systems shall be described with reference to FIGS. 1–8. Thereafter, various embodiments of other breathable apparatus shall be described with further reference to FIGS. 9–3.

FIG. 1 shows a conventional crib 10. The crib 10 includes two side rails 12, 14, a footboard 16, and a headboard 18. The side rails 12, 14 extend between the footboard 16 and headboard 18 along a length thereof. The headboard 18, footboard 16, and side rails 12, 14 are connected and sized for receiving a mattress within an interior 11 of the crib 10.

Generally, the side rails 12, 14, footboard 16, and headboard 18 define an interior boundary extending proximate and around a periphery of the mattress 26 disposed within the crib 10. The mattress 26 is supported within the crib 10 by various structure not shown in FIG. 1. For example, a bottom structural member may be supported at one or more positions about the interior boundary of the crib 10 (e.g.,

6

elements attached to corner posts 36, 38, 31, 33) or in any other fashion. In many conventional cribs 10, the mattress 26 and/or a supporting member therebelow may be raised and/or lowered. For example, as shown in FIG. 1, the mattress 26 is in a raised state. On the other hand, as shown in FIG. 4 (to be described further herein), the mattress is shown in a lowered state. The lowered state is closer to the ground or floor upon which the crib 10 is positioned than the raised state.

The side rail 12 generally includes a top bar 22 and a bottom bar 24 positioned substantially parallel to one another. A plurality of generally vertically-spaced side support elements 20 extend between the horizontal top bar 22 and horizontal bottom bar 24. The side rail 12 in many conventional cribs is moveable from a raised state to a lowered state. For example, the moveable side rail 12 allows a user to lower the side rail 12 in order to have easier access to a child lying on mattress 26. As shown in FIG. 1, side rail 12 can be raised or lowered relative to support structure element 39 and the remainder of the crib 10. The present invention allows for the side rail 12 to be moved from a lowered state to a raised state, or vice versa, even with the crib shield system 40 attached to the crib 10.

Side rail 14 may be similarly configured like that of side rail 12. In other words, side rail 14 may be moveable from a lowered to a raised state, and vice versa. However, side rail 14 may also be in a stationary position fixedly attached to corner posts 36, 31. Likewise, side rail 12 may be moveable or in a fixed position. As moveable side rails are conventional configurations, no further description is provided with respect to the mechanisms for allowing such movement thereof. The crib shield systems described herein work with various mechanisms for moving side rails, e.g., side and bottom latch systems and gliding side mechanisms.

Headboard 18 of crib 10 includes an upper bar 32 (e.g., in a decorative curved shape) as well as a bottom horizontal element 43, each connected in a fixed position to corner posts 36, 38. In a similar manner to the side rails 12, 14, generally vertically-spaced support elements 34 extend between the top bar 32 and the horizontal element 43. It will be recognized that many cribs may or may not have spaced support elements that define a part of the footboard 16 or headboard 18. For example, the headboard and footboard may be solid materials as opposed to spaced-apart supports. The footboard 16 is configured in a manner like that of headboard 18 and includes corner posts 31, 33.

As shown in FIG. 1, the plurality of spaced-apart side support elements 20, 34 of the side rails 12, 14 and the headboard and footboard 16, 18 are used to define the interior boundary extending proximate and around the periphery of the mattress 26 disposed within the crib 10. In one embodiment, and as shown in FIG. 1, at least one panel is sized for covering at least a portion of the plurality of spaced-apart side support elements and configured to extend along at least a portion of the interior boundary. As is described herein, in one preferred embodiment, substantially the entire panel is formed of a breathable integrated padded mesh material and the panel includes at least one fastening apparatus for securing at least one panel to the crib 10.

As used herein, the term mattress may include any structure disposed within crib 10 and upon which objects and/or human beings may be placed. In other words, mattress refers to any structure and not just a soft sleeping apparatus. For example, the crib could be configured into a playpen-type structure with a solid hard and/or flat bottom that is, for example, lowered very close to the floor. As such, and as used herein, a crib can be equated to and encompasses the

various structures similar to a crib, such as those for containing a small child (e.g., playpens, portable cribs, convertible cribs, round cribs, or other structures including, for example, spaced-apart side supports which require an apparatus or system such as that described herein).

As further shown in FIG. 1, crib shield system 40 is attached to crib 10 along a substantial portion of the interior boundary of the crib 10 defined by the headboard 18, footboard 16, and side rails 12, 14. As shown in FIG. 1, a first side panel 42 is attached to side rail 12. Further, a second side panel 44 is attached for covering side rail 14, footboard 16, and headboard 18. However, one skilled in the art will recognize that the second side panel 44 may also be configured to cover just the second side rail 14 and the footboard 16 (e.g., such as when the headboard 18 lacks vertical spaced-apart side support elements), or may cover just side rail 14 and headboard 18 (e.g., such as when footboard 16 lacks spaced-apart side support elements). In other words, the configuration of the second side panel 44 may differ depending upon the configuration of crib 10 upon which it is attached.

FIG. 2A shows the first side panel 42 in an unattached laid flat position. The first side panel 42 includes a body 46 formed of a mesh-type material that extends along the length (L panel 1) from a first end 48 of the first side panel 42 to a second end 50 of the first side panel 42. The length (L panel 1) of the first side panel 42 is sized for allowing attachment to the side rail 12 of crib 10. For example, the length (L panel 1) is slightly longer than the distance between spaced-apart side support elements 27, 29. In such a manner, the first side panel 42 can be wrapped about such side support elements 27, 29 and fastened thereto using hook and loop closures 52, 54, as is further described herein with reference to FIG. 3A.

The body portion 46 has a width (W panel 1) that is less than a length (L support) as shown in FIG. 1) of a vertical spaced support element 20 of the first side rail 12. Preferably, the width (W panel 1) is less than one-half the length (L support) of the vertical spaced side support element 20.

The first side panel 42 includes a first fastening apparatus 52 at the first end 48 of the first side panel 42 and a second fastening apparatus 54 at the second end 50 of the first side panel 42. Fastening apparatus 52 includes fastening portions 53, 55, such as hook and loop closures (e.g., Velcro). In one embodiment, fastening apparatus 54 is the same as fastening apparatus 52, however, such closure structures may also be different.

Various fastening apparatus may be used to attach the first side panel as well as the other panels as described herein to a crib. For example, various types of fastening apparatus may include hook and loop closures (e.g., Velcro), snaps, buttons/buttonholes, ties, straps, buckles, zippers, etc. Although hook and loop fasteners are preferable, any other closure or fastener apparatus suitable for attaching panels to crib 10 may be used.

In one embodiment, a finishing edge material 58 is provided along the periphery of the body portion 46. For example, as shown in FIG. 2A, a finishing edge material (e.g., a decorative material) may be used along edges 61-64.

FIG. 2B shows the second side panel 44 in an unattached laid flat position. The second side panel 44 includes a body portion 70 that extends along a length (L panel 2) from a first end 72 thereof to a second end 74 of the second side panel 44. The length (L panel 2) of the second side panel 44 is sized for allowing attachment to footboard 16 and headboard 18 and across side rail 14 of crib 10. For example, the length (L panel 2) is slightly longer than the combined lengths of

the three sides of the crib 10 (i.e., the lengths of the footboard 16, headboard 18, and side rail 14). In such a manner, the second side panel 44 can be wrapped about support elements 19, 35 and fastened thereto using hook and loop closures 76, 78, as is further described herein. Further, the second side panel 44 has a width (W panel 2) that, at least in one embodiment, has substantially the same width as the width (W panel 1) of first panel 42.

Further, second side panel 44 includes fastening apparatus 76 at first end 72 of the second side panel 44 and fastening apparatus 78 at the second end 74 of the second panel 44. Such fastening apparatus 76, 78 are substantially similar to the hook and loop fasteners described with respect to first panel 42. Further, in a like manner, finishing edge material 80 may be used around the perimeter of the body portion 70 as shown by the finishing material 80 along edges 81-84.

The mesh-type material of the body portion 46 of first side panel 42 and body portion 70 of second side panel 44 may include any suitable mesh-type material that provides breathable functionality. Breathable functionality refers to the ability of the material to allow air to substantially move effectively therethrough. As used herein, when air is indicated as substantially moving effectively through a material, it is meant that the material includes openings (e.g., mesh openings, open-framework, spaces between elements thereof, or even those that may not be visually perceivable openings but still allow a breathable function to occur) that do not impede air movement to an extent that would prevent a human being from breathing through (e.g., when a human's respiratory openings (e.g., nose/mouth) are in direct contact with a material) such a material in order to prevent suffocation and further that such openings are too small to permit an infant to insert a finger or toe therethrough. For example, such materials may include cotton, silk, polyester, nylon, etc.

In one embodiment, the mesh-type material may include a mesh available from Apex Mills, Inc. under the trade designation TA1 Mesh. However, other various similar mesh materials (e.g., mesh material having suitable openings are available). A Suffocation Hazard Assessment was performed by RAM Consulting (Oak Brook, Ill.) (e.g., the Assessment is further described herein and for which protocol is available from RAM Consulting) on the TA1 Mesh resulting in average readings of 1.6 cm H₂O and, for an upper specification limit of 5 cm H₂O, a Z-value of 9.0 was obtained.

Preferably, the mesh-type material is a breathable integrated padded mesh material 300 (e.g., a padded spacer mesh), such as that show generally in FIGS. 2C-2F. The breathable integrated padded mesh material 300 includes openings 349 on a front substructure 391 thereof, as shown in top view of the material 300 of FIG. 2C. As shown in the cross-section of the breathable integrated padded mesh material 300 in FIG. 2F, the material 300 further includes a back substructure 392. A pile substructure 393 is integrated with and extends between the front and back substructures 391, 392. Each of the substructures (e.g., the front, back, and pile substructures) allows air to substantially move effectively therethrough. The material 300 is further shown in the perspective views of FIGS. 2D-2E.

It will be recognized that the thickness of the padded mesh material may vary, as well as for other materials described herein. For example, more padding may create a softer more plush effect with slightly different breathability/ventilation properties and more opaqueness (e.g., less light transmissive) whereas less padding may create more breathability and buoyancy with less opaqueness (e.g., more light trans-

missive). Preferably, the panels described herein are at least somewhat transparent such that at least motion of the child in the crib can be seen.

Yet further, the padded mesh material is collapsible. As such, when installed or uninstalled, should a child stand on it, the material will collapse. This reduces the risk of the mesh material being leverage to a climbing infant (unlike most conventional bumpers).

In one embodiment, the breathable integrated padded mesh material **300** is a woven polymeric fiber mesh material that includes larger openings on the front substructure **391** than on the back substructure **392** and to which such substructures **391**, **392** are woven using the fibers that are provided as part of pile substructure **393**. In such a manner, these fibers that form a part of the pile substructure **393** are integrated with and extend between front and back substructures **391**, **392**. In other words, they form a unitary structure. This is substantially different than a structure whereby a mesh material or some other material is provided as the back or front covering with a pad material therebetween (e.g., a pad quilted in between a front and back material or a pad laminated between a front and back material). Such a layered structure is not, and does not, provide the same functionality as an integrated (i.e., unitary) breathable padded mesh material **300**, such as shown in FIGS. 2C–2F.

In one embodiment, for example, the breathable integrated padded mesh material **300** may include a padded spacer mesh available from Apex Mills, Inc. under the trade designation DNB27 Spacer Mesh. However, other various similar padded spacer mesh materials are available.

In another embodiment, the mesh-type material is a breathable integrated padded mesh material in combination with one or more other material layers. For example, the breathable integrated padded mesh material may be used in combination with one or more layers of other material adjacent to (e.g., one material laid flat against the other) either the front substructure and/or back substructure of the breathable integrated padded mesh material. In various embodiments of such a combination, one or more layers of material may be used adjacent the front substructure, one or more layers of material may be used adjacent the back substructure, or one or more layers of material may be used adjacent the front substructure and the back substructure. For example, such additional layers may be layers of cotton material, knit jersey material, etc. Such additional material layers may provide additional benefits such as, for example, thermal properties with breathability.

Further, for example, the breathable integrated padded mesh material when used alone, or in combination with one or more additional layers, may be any breathable integrated padded mesh material that has a suffocation resistance level of less than about 15 cm H₂O, and preferably less than about 5 cm H₂O. Such a suffocation resistance is determined according to the RAM Consulting Virtual Child Suffocation Hazard Assessment Model which is a physical model and testing methodology that quantitatively assesses the potential suffocation hazards posed by various types of materials. The details of this Model are available from RAM Consulting (Oak Brook, Ill.). Further, according to this Model, Z-values are determined that are statistical measurement tools that describe and predict product performance in relation to its specification limit (e.g., such as those described below). For example, the suffocation resistance limit of 5 cm H₂O is an upper specification limit for materials or products that foreseeably are used and/or intended for young infants with high accessibility; and further, the suffocation resistance limit of about 15 cm H₂O

is an upper specification limit for other materials or products (e.g., those for toddlers). A Z-value of 4.0 or greater with the corresponding upper specification limit for each applicable testing technique is required for a product to be classified as a very low suffocation risk. The details regarding the determination of Z-values are available from RAM Consulting (Oak Brook, Ill.).

Suffocation Hazard Assessment was performed by RAM Consulting (Oak Brook, Ill.) on various configurations using the breathable integrated padded mesh material available from Apex Mills, Inc. under the trade designation DNB27 Spacer Mesh.

Configuration 1:	Single Layer of Padded Spacer Mesh
Configuration 2:	Layer 1: Padded Spacer Mesh Layer 2: Cotton
Configuration 3:	Layer 1: Knit Jersey Layer 2: Padded Spacer Mesh Layer 3: Cotton
Configuration 4:	Layer 1: Cotton Layer 2: Padded Spacer Mesh Layer 3: Cotton
Configuration 5:	Layer 1: Knit Jersey Layer 2: Padded Spacer Mesh Layer 3: Knit Jersey
Configuration 6:	Layer 1: Padded Spacer Mesh Layer 2: Flannel
Fabrics tested:	Knit Jersey Manufacturer: NATEX Content: 50% Polyester/50% Cotton Knit Jersey Style#: INT
	Cotton Manufacturer: SOUTHERN BELLE Content: 100% Cotton Style#: L93N67
	Flannel Manufacturer: QUILTERS CORNER Content: 100% Cotton Style#: RN41324

A screening was performed on all configurations in both a dry and wet state. The spacer padded mesh when layered with fabrics resulted in a satisfactory reading based on values in cm H₂O, wherein the specification upper limit for products young children are intended to lie on is equal to 5 cm H₂O (e.g., mattress pads or items young infants are intended to have their face on) and wherein the specification for products young children are not intended to lie on is equal to 15 cm H₂O.

Four individual readings were performed with an average being determined. Dry state readings did not register, thus presenting very low hazard when the configurations were dry (i.e., under the 5 cm H₂O specification limit). In the wet state (after application of 8 ml of sprayed on water), the average readings for the configurations were between 4.6 cm H₂O and 6.2 cm H₂O.

For the individual single layer of spacer padded mesh, average readings of 1.7 cm H₂O were taken. Further, for an upper specification limit of 5 cm H₂O, a Z-value of 9.5 was obtained.

As shown in FIG. 1, the first side panel **42** is attached to first side rail **12** by wrapping first end **48** of the first spacer panel **42** about spaced side support element **27** and mating the hook and loop fastener portions **53**, **55** as shown in FIG. 3A. The second end **50** of first spacer panel **42** is wrapped around side support element **29** and fastening apparatus **54** is used to hold the first side panel in place. For example, in one embodiment, the fastening apparatus **54** is attached to the side support element **27**. Thereafter, the user pulls the panel taut across the plurality of spaced side support ele-

ments 20 by pulling on the second end 50 containing the fastening apparatus 54. Fastening apparatus 54 is the attached to support element 29 in such a manner to hold the taut panel in place. As such, the first side panel 42 is prevented from slipping after being attached to the spaced side support elements 27, 29.

In at least one embodiment, the first side panel 42 is configured to cover at least a portion of the first side rail 12 and to extend substantially along the length of the crib 10. As used herein when a panel extends substantially along the length of the crib 10, it will be recognized that the panel may not extend completely along the entire length, but may end proximate the headboard and footboard. For example, depending upon the fastening techniques used, the panel may be attached a short distance from the corner posts of the crib (see panel 42 as shown in FIG. 1).

In a like manner, second side panel 44 is attached to the crib 10. For example, the second end 74 of the second side panel 44 is wrapped about spaced support element 35 of headboard 18. Fastening apparatus 78 (e.g., Velcro closures) is used to fasten the second end 74 about the support element 35.

Further, as shown in FIG. 1, the body portion 70 of the second side panel 44 is fed to the inside of the crib 10 (e.g., to the inside portions of support elements 34) and thereafter fed to the outside of the crib 10 and around corner post 36. The body portion 70 is continued to be fed back into the inside of the crib 10 (e.g., to the inside of the support elements of the second side rail 14) and thereafter fed once again to the outside of the crib 10 and around corner post 31 (see FIGS. 3B-3C). Thereafter, the body portion 70 of the second side panel 44 is fed to the inside of the crib 10 once again at the footboard 16 and then wrapped around support element 19 of footboard 16 in a similar manner to the fastening of the second side panel 44 around support element 35 of headboard 18.

One will recognize that the second side panel may be attached to any number of different support elements, may be fed around and/or to the outside of one or more spaced support elements, and, as with the first side panel 42, is pulled taut prior to fastening to keep the second side panel 44 in position. Further, the weaving of the second side panel 44 around the corner posts and/or around one or more of the spaced support elements also assists in maintaining the second side panel 44 in position (e.g., in a position higher on the crib 10 when the mattress is raised relative to the floor and lower in the crib 10 when the mattress is lowered to the floor). In addition, any of the panels may be positioned such that a portion of the panel is below the upper surface of the mattress (e.g., a few centimeters below the surface along the side of the mattress) to assist in securing the crib and preventing arms and legs from going under the panel.

As shown in FIG. 4, the crib 10 is substantially the same as that shown in FIG. 1 except that the mattress 26 is in a lowered position. However, the side rail 12 is a side rail that can be lowered or raised, as desired. Like the crib shield system 40 in FIG. 1, crib shield system 100, shown in FIG. 4, allows the side rail 12 to be moved even with the crib shield system 100 attached to crib 10.

Crib shield system 100 includes a first side panel 102 and a second side panel 104 for attachment to respective side rails 12, 14. Further, the crib shield system 100 includes a first end panel 106 for attachment to the footboard 16 and a second end panel 108 for attachment to the headboard 18.

FIG. 5 shows the first side panel 102 of crib shield system 100 in an unattached laid flat position. The first side panel 102 includes a body portion 120 formed of a mesh-type

material. In one embodiment, the mesh-type material is an open framework material that includes openings too small to permit an infant to insert a finger or toe therethrough. However, any mesh-type material described herein may be used as well.

The body portion 120 extends along a length (L panel 1) extending from a first end 122 of the first side panel 102 to a second end 124 thereof. Further, the laid flat first side panel 102 has a width (W panel 1) that is sized to cover at least a substantial portion of side rail 12.

As used herein, when referring to the covering of a substantial portion of a side rail (or headboard or footboard), at least two-thirds of the side rail 12 is covered. However, the first side panel may cover less than a substantial portion. For example, the first side panel may cover just a majority of the entire side rail 12.

The first side panel 102 further includes a fastening apparatus 126 that extends along an entire edge 144 of the side panel 102 for use in attaching the side panel 102 to the top bar 22 of the side rail 12, as is shown in further detail in FIGS. 6A-6D. The fastening apparatus 126, at least in one embodiment, includes first and second fastening portions 147, 148 that are both for mating with one another in order to hold the first side panel 102 in a fixed position relative to side rail 12.

As shown in FIG. 6A, the fastening apparatus 126 includes a padded portion 150 that is wrapped around top rail 22 such that first and second fastening portions 147, 148 can be placed in contact with one another. As a result, the padded portion 150 covers the top bar 22 of the side rail 12. With use of the fastening apparatus 126 that extends along the entire edge 148 of the first side panel 102, the first side panel 102 can be fixed in a stable position with respect to side rail 12. For example, the first side panel 102 can be fixedly positioned to prevent movement thereof relative to the side rail 12 using one or more other various fastening apparatus.

For example, as shown in FIG. 5, closures 127-128 provide for additional affixing functionality about the top bar 22 of the crib 10. In addition, closures 129-130 assist in affixing the first side panel 102 to respective corner posts 38, 33. Yet further, for example, a plurality of closures 131-133, located opposite the edge 144 can be used to attach the first side panel 102 to bottom bar 24 of the side rail 12 such that the panel 102 is held in a taut manner across the plurality of support elements 20.

One skilled in the art will recognize that many types of closures may be used to provide the attachment functionality, such as those described previously herein with respect to crib shield system 40. In one particular embodiment, all of the closures are provided with hook and loop fasteners (e.g., Velcro fasteners). In such a manner, no ties are necessary, which eliminate additional material that could be grabbed by a small child and pulled upon.

FIGS. 6A-6D show further detail illustrating the attachment of the first side panel 102 to the crib 10. FIG. 6A shows the fastening apparatus 126 wrapped around the top bar 22 of the crib 10 and, in particular, a closure 130 wrapped around post 33 but not yet in a closed position.

FIG. 6B shows the closure 130 in a wrapped around configuration and closed (e.g., the hook and loop fasteners in direct contact with one another and providing attachment to corner post 33).

FIG. 6C shows the fastening apparatus 126 in further detail, including fastening portions 147-148 and closure 127 in a partially unattached configuration.

FIG. 6D shows a cross-section view of the top bar 22 having the padded rail cover portion 150 wrapped therearound.

FIG. 6E shows one of the bottom closure strap attachments 133 used to wrap around bottom bar 24. The strap attachment 133 is shown in a partially closed position with a part of the hook and loop fasteners in direct contact.

FIG. 6F shows a cross-section of the bottom bar 24 having strap attachment closure 133 wrapped therearound and in a fastened configuration.

It will be readily understood that second side panel 104 is substantially similar to that of first side panel 102. In addition, the attachment of second side panel 104 to side rail 14 is performed in substantially the same manner as the attachment of first side panel 102 to side rail 12 of crib 10.

FIG. 7 shows the end panel 108 in an unattached laid flat position. The end panel 108 includes a body portion 160 of mesh-type material like that described with respect to first side panel 102 which extends along a length (L panel 2) from a first end 162 to a second end 164 of the end panel 108. Further, the end panel 108 has a width (W panel 2) that along with length (L panel 2) is sized to cover a substantial portion of headboard 18. The end panel 108 includes fastening apparatus 166, for example, along the entire edge 183 of the body portion 160 for use in attachment of the end panel 108 to a support element 37 of the headboard 18. The fastening apparatus 166 includes fastener portions 168-169 and a body portion 170. The body portion 170 is wrapped around the support element 37, as shown in further detail in FIG. 8, with the fastener portions 168-169 placed in direct contact with one another to provide attachment of the end panel 108 to the headboard 118. The fastener portions 168-169 are preferably hook and loop fasteners to provide a consistent closure along the entire width (W panel 2).

At least one other fastening apparatus, such as fastening apparatus 176, are provided at one or more positions along an edge 184 opposite edge 183 to allow a user to pull the panel taut across the headboard 118 when fastening apparatus 166 has been attached to support element 37. Such fastening apparatus 176 can be thereafter used to secure the end panel 108 around support element 35 and maintain the end panel 108 in a taut position adjacent the support elements 34. In one embodiment, the fastening apparatus 176 includes hook and loop fasteners 177-179 (e.g., Velcro closures) positioned along edge 184 using a body of material 193 that can be wrapped about support element 35.

FIG. 8 shows an illustration of attaching the end panel 108 to headboard 118. For example, as shown therein, closure 177 is in an unattached configuration, whereas closures 178, 179 are in a fastened configuration. Likewise, fastening apparatus 166 along the first end 162 of the end panel 108 is shown in a partially fastened configuration.

It will be readily understood that second end panel 106 is substantially similar to that of first end panel 108. In addition, the attachment of second end panel 106 to the footboard 16 is performed in substantially the same manner as the attachment of first end panel 108 to headboard 18 of crib 10.

Both the side panel 102 and the end panel 108 may be provided with associated finishing material for functional or decorative purposes (e.g., to prevent the fraying of mesh material of body portion 120, to provide further padding, etc.). For example, as shown in FIG. 5, finishing edge material 138 may be used along edges 141-143. Likewise, as shown in FIG. 7, finishing material 172 may be used along edges 181-182. Further, it will be recognized by one skilled in the art that various types of materials may be used

along the edges and in combination with various fastening apparatus for attaching the panels to the crib 10. However, preferably, substantially the entire exposed portions of the panels (e.g., exposed to a child in the crib) are formed of the mesh-type material.

As used herein, when reference is made to the panels having substantially the entire exposed portions thereof being formed of the mesh-type material, it means that at least two-thirds of the exposed portions are formed thereof. However, in some configurations, less than substantially the entire exposed portions may be formed thereof. For example, a majority or more of the exposed portions may be formed of the mesh-type material.

The breathable materials allow for full air circulation. When a padded, soft breathable mesh material is utilized, further protection is provided to a child from bodily harm. When using one or more of the breathable mesh materials described herein, it is preferred that substantially no rebreathing of carbon dioxide occur when a child's face is in direct contact with the material.

FIG. 9 shows a general illustrative block diagram embodiment of a breathable apparatus 200 that includes a body portion 210 having one or more surfaces 212. In one particular embodiment, the body portion 210 is useable in proximity to the respiratory orifices (e.g., mouth and nose) of a human being 202. Further, in another embodiment, substantially all of the one or more surfaces are formed of the breathable integrated padded mesh material, a material described herein.

The breathable apparatus 200 shown generally in FIG. 9 may include one or more various types of objects. For example, as shown in FIG. 10A-10B, the breathable apparatus may take the form of an object used to cover a child or other human being. For example, as shown in FIG. 10A, a breathable blanket 220 including a body portion 222 formed of the breathable integrated padded mesh material is shown. Likewise, in FIG. 10B, a breathable comforter 230 is shown that includes a body portion 232 that is formed of the breathable integrated padded mesh material. It will be understood that the body portions 222, 232 may be trimmed using any various finishing materials. For example, trim 224 may be used along the edges of the breathable blanket 220, as shown in FIG. 10A, and trim 234 may be used to trim the breathable comforter 230 along its edges. Likewise, a breathable material 235 may be used in conjunction with the breathable integrated padded mesh material, as shown in FIG. 10B, as a back panel. In other words, the breathable integrated padded mesh material which forms the body portion may be configured as a single layer blanket or comforter formed only of the padded mesh material or the padded mesh material may be used in combination with one or more additional breathable layers as shown in FIG. 10C. For example, the configurations described above with reference to the crib shield systems may be used (e.g., cotton on one or both sides of the padded mesh material). As described above and as shown generally in FIG. 10C, the breathable integrated padded mesh material may be used in combination with one or more other material layers. For example, the breathable integrated padded mesh material may be used in combination with one or more layers of other material adjacent to (e.g., one material laid flat against the other) either the front substructure and/or back substructure of the breathable integrated padded mesh material. In FIG. 10C, one or more layers of material 237 may be used adjacent the front substructure of the breathable integrated padded mesh material 238 and/or one or more layers of material 239 may be used adjacent the back substructure

thereof. One skilled in the art will recognize that various types of sizes and shapes may be used, as well as various types of breathable materials.

Further, the breathable apparatus **200** may take the form of one or more other carrying apparatus. For example, as shown in FIG. **11A**, a breathable bundle **240** including a body portion **242** is shown for carrying a baby. The body member **242** defines a volume **244** for receiving a child.

As shown in FIG. **11B**, a breathable carrier cover **250** includes a body member **252** that defines a volume (not shown) in which a carrier is received.

FIG. **11C** shows an illustrative embodiment of a baby carrier **260**. The baby carrier **260** includes a body portion **262** formed of at least a part of a breathable integrated padded mesh material according to the present invention that defines a volume **264** for receiving a child. As one skilled in the art will recognize, various attachment mechanisms for use in attaching the carrier to another person are required. However, a substantial portion of the one or more surfaces forming the carrier **260**, particularly those that would exist next to a child's face, are preferably formed of the breathable integrated padded mesh material.

FIG. **11D** shows a car seat cover **270** for a car seat **269** including a body portion **272** formed of the breathable integrated padded mesh material. The body portion **272** forms or defines a volume **274** in which a child is positioned. Once again, preferably, a substantial portion of all the surfaces of the car seat cover **270** are formed of the breathable integrated padded mesh material.

As shown in FIG. **11E**, a double headrest **280** includes a body portion **282** formed of the breathable integrated padded mesh material. The body portion **282** defines a volume **284** for receiving, for example, the head of a child.

FIG. **11F** shows a sleep positioner **290** including a body portion **292** formed of the breathable integrated padded mesh material. The body portion **292** provides a defined volume **294** for receiving a portion of a child's body.

One skilled in the art will recognize that various types of padding may be used in addition to the breathable integrated padded mesh material in order to form one or more of the shapes of the objects previously described herein. Further, for example, such padding materials may be the breathable integrated padded mesh material itself and/or other breathable materials, such as cotton, jersey, flannel, polyester, nylon, rayon, gabardine, terry cloth, etc.

The breathable apparatus **200**, shown generally in FIG. **9**, may also take the form of a breathable toy **300**, as shown in FIG. **12**. The breathable toy **300**, shown in FIG. **12** as a teddy bear, includes a body portion **302** formed of the breathable integrated padded mesh material. Further, trim material and various decorative elements **304** will be used to accessorize the body portion **302** (e.g., padded feet, a nose, eyes, etc.). Preferably, however, a majority of the toy **300** is covered with the breathable integrated padded mesh material.

Further, preferably, any single portion of trim material **304** of the toy **300** (or of any other apparatus described herein that includes the breathable padded mesh material) is smaller than that which could potentially block breathing of a child. Further, preferably, substantially the entire toy (or of any other apparatus described herein that includes the breathable padded mesh material) is formed of the breathable integrated padded mesh material. As used herein, when substantially the entire apparatus is formed of the breathable integrated padded mesh material at least two-thirds of the object is formed thereof. For example, some material may still be used for decorative or other trimming purposes, including additional padding. However, such material is

kept to portions that are smaller than those which may potentially block breathing of a child (e.g., through mouth and nose of a child). Further, the breathable integrated padded mesh material may cover less than a substantial portion. For example, the breathable integrated padded mesh material may cover just a majority of the apparatus.

It will be recognized that the toy bear shown in FIG. **12** is but one illustrative embodiment of a toy that may utilize the breathable integrated padded mesh material. For example, dolls, or any other animal or stuffed toy, may be created using the breathable integrated padded mesh material.

Yet further, the breathable apparatus **200** shown generally in FIG. **9** may take the form of breathable clothing or wearables, as shown in FIG. **13**. For example, the breathable clothing **310** may include a body portion **312** that defines a volume (not shown) that may receive the body of a human or doll. Such clothing may be used as outerwear to be worn outside of other clothing or may be used as an inner layer or a single layer for covering the body of a human.

Although many of such breathable apparatus may be preferably used with respect to children (e.g., to prevent suffocation), such breathable apparatus, shown generally in FIG. **9**, may also be used at other age levels. For example, geriatrics may utilize a blanket having the breathable features described herein or wear breathable clothing, such as shown generally in FIG. **13**.

Further, the breathable integrated padded mesh material may be used with one or more of the following apparatus: Mats such as Play Gym Mats, Activity Mats, Sleeping Mats, Bath Mats, and Bathing Cushions; Activity and Soft Toys such as Hanging Soft Toys, Mobile Soft Toys, Musical Soft Toys, Interactive Soft Toys, Bath Soft Toys, Soft Toys with moving pieces, Car Seat Activity Centers, and Soft Dolls; Games such as Soft Puzzles, Soft Cutout Shapes, Soft Books, Cloth Books, and Photo Album Covers; Pads such as Mattress Pads, Changing Table Pads, Crib Pads, Crib Bumper Pads, Cradle Bumper Pads, Porta-Crib Bumper Pads, Play yard Covers and Pads, Sheet Savers, Contour Pads, Lap Burp Pads, and Floor Pads; Covers such as Changing Pad Covers, Dressing Table Pad Covers, Bouncer Covers, Swing Covers, Cradle Swing Covers, Seat Covers, Car Seat Covers, Carrier Covers, and Stroller Covers; Pillows such as Support Pillows, Wedges, Sleep Positioners, and Double Headrests; Blankets such as Comforters, Wearable Blankets, Receiving Blankets, and Stroller Blankets; Bags such as Nursery Organizers, Backpacks, Sleeping Bags, Luggage, Diaper Bags, and Carry Bags; Carriers such as Soft Carriers, Slings, and Bundles; Bedding such as Toddler Bedding, Crib Bedding, Cradle Bedding, Pillow Cases, and Pillow Case and Fitted Sheet in one; and Clothing such as Sports Clothing; Hats; Scarves; Jackets; Vests, and Outerwear.

The preceding described embodiments are illustrative of the practice of the invention. It is to be understood, therefore, that other expedients known to those skilled in the art or disclosed herein may be employed without departing from the invention or the scope of the appended claims. For example, various apparatus or steps of one embodiment described herein may be used with one or more other embodiments described herein to form various combinations of methods, systems, or apparatus contemplated by the present invention. As such, the present invention includes within its scope other methods, systems and apparatus for implementing and using the invention described herein.

What is claimed is:

1. A crib shield system for a crib, wherein the crib comprises a first and second side rail, a headboard, and a footboard connected and sized for receiving a mattress therein, wherein at least one of the first and second side rails comprises a top bar and a plurality of spaced support elements, wherein the crib shield system comprises:

a first and second side panel, wherein each of the first and second side panels is configured as a separate panel to cover at least a substantial portion of a corresponding side rail with a mesh-type material comprising openings too small to permit an infant to insert a finger or toe therethrough, wherein the first panel is not connected to the second panel, wherein each of the first and second side panels comprises at least one fastening apparatus that extends along an entire edge of the side panel to attach the side panel to the top bar of a corresponding side rail, and further wherein each of the first and second side panels comprises at least one other fastening apparatus for securing the side panel to the corresponding side rail.

2. The crib shield system of claim 1, wherein the system further comprises:

at least one of a first and second end panel, wherein each of the at least one first and second end panels is configured as a separate panel to cover at least a substantial portion of a corresponding headboard or footboard with a mesh-type material having openings too small to permit an infant to insert a finger or toe therethrough, wherein each of the first and second end panels comprises at least one fastening apparatus that extends along an entire edge of the panel to attach the panel to a spaced support element of a corresponding headboard or footboard, and further wherein each of the first and second end panels comprises at least one other fastening apparatus for securing the panel to the corresponding headboard or footboard.

3. The crib shield system of claim 2, wherein the at least one other fastening apparatus of each of the first and second end panels is provided at one or more positions along an edge opposite the entire edge to allow a user to pull the panel taut across the corresponding headboard or footboard when the at least one fastening apparatus extending along the entire edge of the panel is attached to the spaced support element of the corresponding headboard or footboard and is configured to secure the panel to another spaced support element of the corresponding headboard or footboard using the at least one other fastening apparatus.

4. The crib shield system of claim 1, wherein at least one of the first and second side rails is movable relative to a remainder of the crib when one of the first and second side panels is fastened to the at least one of the first and second side rails.

5. The crib shield system of claim 1, wherein the at least one other fastening apparatus of each of the first and second side panels is provided at one or more positions along an edge opposite the entire edge to allow a user to pull the panel taut across the corresponding side rail when the at least one fastening apparatus extending along the entire edge of the panel is attached to the top bar of a corresponding side rail and is configured to secure the panel to another portion of the corresponding side rail using the at least one other fastening apparatus.

6. The crib shield system of claim 1, wherein at least one of the fastening apparatus comprises a hook and loop fastener.

7. The crib shield system of claim 1, wherein the mesh-type material comprises a breathable integrated padded mesh material.

8. The crib shield system of claim 7, wherein the mesh-type material comprises a front substructure, a back substructure, and a pile substructure integrated with and extending between the front and back substructures, wherein each of the substructures allows air to substantially move effectively therethrough.

9. A crib shield system for a crib, the crib comprising a first and second side rail, a headboard, and a footboard connected and sized for receiving a mattress therein, wherein each of the first and second side rails extend along a length of the crib between the headboard and the footboard, and further wherein at least one of the first and second side rails is formed of a top bar and a plurality of spaced support elements, the crib shield system comprising:

a first panel, wherein the first panel is configured to cover at least a portion of the first side rail and to extend along substantially the length of the crib, wherein the first panel is formed substantially of a mesh-type material having openings too small to permit an infant to insert a finger or toe therethrough, wherein the first panel comprises at least one fastening apparatus to attach a first end of the first panel to a first portion of the first side rail, and further wherein the first panel comprises at least one other fastening apparatus for securing a second end opposite of the first end of the first panel to a second portion of the first side rail; and

a second panel separate from and not connected to the first panel, wherein the second panel is configured to cover at least a portion of the second side rail and to extend at least along the length of the crib, wherein the second panel is substantially formed of a mesh-type material having openings too small to permit an infant to insert a finger or toe therethrough, wherein the second panel comprises at least one fastening apparatus to attach a first end of the second panel to the crib, and further wherein the second panel comprises at least one other fastening apparatus for securing a second end opposite of the first end of the second panel to the crib.

10. The crib shield system of claim 9, wherein the second panel is further configured to cover at least a portion of the headboard and footboard, wherein the at least one fastening apparatus of the second panel is configured to attach the second panel to one of the headboard and footboard, and further wherein the at least one other fastening apparatus of the second panel is configured to secure the second panel to the other of the headboard and footboard.

11. The crib shield system of claim 10, wherein the at least one fastening apparatus of the second panel is configured to attach the second panel to a spaced support element that forms a part of the headboard, and further wherein the at least one other fastening apparatus of the second panel is configured to attach the second panel to another spaced support element that forms a part of the footboard.

12. The crib shield system of claim 9, wherein the at least one fastening apparatus of the first panel is configured to attach the first end of the first panel to a spaced support element of the first side rail proximate the headboard, and further wherein the at least one other fastening apparatus of the first panel is configured to attach the second end of the first panel to another spaced support element of the first side rail proximate the footboard.

13. The crib shield system of claim 9, wherein at least the first panel comprises a width that is less than the length of a spaced support element of the first side rail.

19

14. The crib shield system of claim 13, wherein the at least the first panel comprises a width that is less than one half the length of a spaced support element of the first side rail.

15. The crib shield system of claim 9, wherein the first side rail is movable relative to a remainder of the crib when the first and second panels are fastened to the crib.

16. The crib shield system of claim 9, wherein at least one of the fastening apparatus comprises a hook and loop fastener.

17. The crib shield system of claim 9, wherein the mesh-type material comprises a breathable integrated padded mesh material.

18. The crib shield system of claim 17, wherein the mesh-type material comprises a front substructure, a back substructure, and a pile substructure integrated with and extending between the front and back substructures, wherein each of the substructures allows air to substantially move effectively therethrough.

19. A crib shield system for a crib, wherein the crib comprises at least a first side rail, a headboard, and a footboard, wherein at least the first side rail comprises a plurality of spaced support elements for use in defining an interior boundary extending proximate and around a periphery of a mattress disposed within the crib, wherein the system comprises at least one panel configured to cover at least a portion of the plurality of spaced support elements of the first side rail and to extend along at least a portion of the interior boundary, wherein the at least one panel is formed substantially of a breathable integrated padded mesh material, wherein the at least one panel comprises at least one fastening apparatus for securing the at least one panel to the crib, and further wherein the at least one panel comprises a width that is less than the length of a spaced support element of the first side rail that is in a vertical position as part of the crib.

20. The crib shield system of claim 19, wherein the breathable integrated padded mesh material comprises a front substructure, a back substructure, and a pile substructure integrated with and extending between the front and back substructures, wherein each of the substructures allows air to substantially move effectively therethrough.

21. The crib shield system of claim 19, wherein the at least one panel comprises:

- a first panel, wherein the first panel is sized to cover at least a portion of the plurality of spaced support elements that form a part of a first side rail that defines at

20

least a part of the interior boundary and to extend along a substantial portion of a length of the first side rail from a headboard to a footboard of the crib, wherein the first panel comprises at least one fastening apparatus to attach a first end of the first panel to one of the plurality of spaced support elements of the first side rail, and further wherein the first panel comprises at least one other fastening apparatus for securing a second end of the first panel to another one of the plurality of spaced support elements of the first side rail; and

a second panel separate from and not connected to the first panel, wherein the second panel is sized to cover at least a portion of the plurality of spaced support elements that form a part of a second side rail that defines at least a part of the interior boundary and to extend at least along a substantial portion of a length of the second side rail from a headboard to a footboard of the crib, wherein the second panel comprises at least one fastening apparatus to attach the second panel to one of the plurality of spaced support elements of the crib, and further wherein the second panel comprises at least one other fastening apparatus for securing the second panel to another one of the plurality of spaced support elements of the crib.

22. The crib shield system of claim 21, wherein the second panel is further sized to cover at least a portion of the headboard and the footboard that defines at least a part of the interior boundary, wherein the at least one fastening apparatus of the second panel is configured to attach the second panel to a spaced support element of the headboard, and further wherein the at least one other fastening apparatus of the second panel is configured to secure the second panel to a spaced support element of the footboard.

23. The crib shield system of claim 19, wherein the at least one panel comprises a width that is less than one half the length of the spaced support element that is in a vertical position as part of the crib.

24. The crib shield system of claim 19, wherein the plurality of spaced support elements, that are covered, at least in part, by the at least one panel, form a part of a side rail that is movable relative to a remainder of the crib.

25. The crib shield system of claim 19, wherein at least one of the fastening apparatus comprises a hook and loop fastener.

* * * * *